

Resistance thermometer TR10-0 and thermocouple TC10-0  
Ignition protection type FP (Ex d) and XP (class/division)

EN

Widerstandsthermometer TR10-0 und Thermoelement TC10-0  
Zündschutzart FP (Ex d) und XP (Klasse/Division)

DE

Sonde à résistance TR10-0 et thermocouple TC10-0  
Type de protection contre l'ignition FP (Ex d) et XP (classe/division)

FR

Termorresistencia TR10-0 y termopar TC10-0  
Tipo de protección FP (Ex d) y XP (clase/división)

ES



1182963



FM17US0254X



Connection head 1/4000



Connection head 7/8000

<b>EN</b>	<b>Operating instructions models TR10-0, TC10-0</b>	<b>Page</b>	<b>3 - 22</b>
<b>DE</b>	<b>Betriebsanleitung Typen TR10-0, TC10-0</b>	<b>Seite</b>	<b>23 - 42</b>
<b>FR</b>	<b>Mode d'emploi types TR10-0, TC10-0</b>	<b>Page</b>	<b>43 - 62</b>
<b>ES</b>	<b>Manual de instrucciones modelos TR10-0, TC10-0</b>	<b>Página</b>	<b>63 - 82</b>

© 11/2021 WIKA Alexander Wiegand SE & Co. KG  
 All rights reserved. / Alle Rechte vorbehalten.  
 WIKA® is a registered trademark in various countries.  
 WIKA® ist eine geschützte Marke in verschiedenen Ländern.

Prior to starting any work, read the operating instructions!  
 Keep for later use!

Vor Beginn aller Arbeiten Betriebsanleitung lesen!  
 Zum späteren Gebrauch aufbewahren!

Lire le mode d'emploi avant de commencer toute opération !  
 A conserver pour une utilisation ultérieure !

¡Leer el manual de instrucciones antes de comenzar cualquier trabajo!  
 ¡Guardar el manual para una eventual consulta!

# Contents

<b>1. General information</b>	<b>4</b>
<b>2. Design and function</b>	<b>4</b>
<b>3. Safety</b>	<b>6</b>
<b>4. Transport, packaging and storage</b>	<b>9</b>
<b>5. Commissioning, operation</b>	<b>10</b>
<b>6. Information on mounting and operation in hazardous areas</b>	<b>13</b>
<b>7. Safety-related instructions</b>	<b>14</b>
<b>8. Faults</b>	<b>16</b>
<b>9. Maintenance, cleaning and recalibration</b>	<b>18</b>
<b>10. Dismounting, return and disposal</b>	<b>19</b>
<b>11. Specifications</b>	<b>20</b>

## 1. General information

- The instrument described in the operating instructions has been manufactured using state-of-the-art technology. All components are subject to stringent quality and environmental criteria during production. Our management systems are certified to ISO 9001 and ISO 14001.
- These operating instructions contain important information on handling the instrument. Working safely requires that all safety instructions and work instructions are observed.
- Observe the relevant local accident prevention regulations and general safety regulations for the instrument's range of use.
- The operating instructions are part of the product and must be kept in the immediate vicinity of the instrument and readily accessible to skilled personnel at any time.
- Skilled personnel must have carefully read and understood the operating instructions prior to beginning any work.
- The manufacturer's liability is void in the case of any damage caused by using the product contrary to its intended use, non-compliance with these operating instructions, assignment of insufficiently qualified skilled personnel or unauthorised modifications to the instrument.
- The general terms and conditions contained in the sales documentation shall apply.
- Subject to technical modifications.
- Further information:

## 2. Design and function

### 2.1 Description

The model TR10-0 (resistance thermometer) or TC10-0 (thermocouple) electrical thermometers are comprised of a measuring insert which is built into a certified case. In combination with a flame path fitting that is screwed into the head, the measuring insert functions as a flameproof joint. The measuring insert (TR10-1, TC10-1) is replaceable.

### Sensor design in model TR10-0

The measuring resistor is embedded in ceramic powder, heat-resistant potting compound, cement compound or thermally conductive paste. A welded cap forms the external shell of the sensor tip of the measuring insert.

### Sensor design in model TC10-0

The measuring insert of the thermocouple is manufactured from mineral-insulated cable. The thermocouple consists of the internal leads of the mineral-insulated cable. The weld spot of the thermocouple is, depending on the design, either ungrounded welded with the internal leads of the mineral-insulated cable or grounded welded.

If the temperature sensor is designed as a grounded thermocouple, the thermocouple is joined directly to the sheath. Designs with a diameter smaller than 3 mm and with grounded thermocouples should be considered as galvanically connected with earth potential.

#### Available versions:

- Flame path without thermowell
- Flame path with thermowell
- Thermometers without a flame path fitting may be designed as a welded bushing without thermowell

Thermometers without a flame path fitting may only be used in combination with a solid-machined, certified WIKA thermowell with a minimal wall thickness of 1 mm.

After installation of a flame path fitting into the connection head of the thermometer, a thermowell is no longer mandatory for certification reasons. In most cases, however, the use of a thermowell (with a wall thickness of 1 mm) is necessary for process engineering reasons.

The design of the thermowell can be selected as desired, but the operational process data (temperature, pressure, density and flow rate) must be taken into account. If a WIKA thermowell is already available or installed, a flame path fitting is not necessary.

The thermometers models TR10-0 or TC10-0 are manufactured by WIKA with certified connection heads or connection housings. These enclosures and covers are made from aluminium or stainless steel. The cover is optionally available with a glass window.

Possible sensor measuring ranges see chapter 11 “Specifications”

The following mounting and operating information has been compiled with care. However, it is not possible to consider all potential usage cases.

### 2.2 Scope of delivery

Cross-check scope of delivery with delivery note.

### 3. Safety

#### 3.1 Explanation of symbols

EN



**WARNING!**

... indicates a potentially dangerous situation that can result in serious injury or death, if not avoided.



**CAUTION!**

... indicates a potentially dangerous situation that can result in light injuries or damage to property or the environment, if not avoided.



**WARNING!**

... indicates a potentially dangerous situation in the hazardous area that can result in serious injury or death, if not avoided.



**WARNING!**

... indicates a potentially dangerous situation that can result in burns, caused by hot surfaces or liquids, if not avoided.



**Information**

... points out useful tips, recommendations and information for efficient and trouble-free operation.

#### 3.2 Intended use

These resistance thermometers and thermocouples are used for temperature measurement in industrial applications, in hazardous areas.

The instrument has been designed and built solely for the intended use described here, and may only be used accordingly.

The technical specifications contained in these operating instructions must be observed. Improper handling or operation of the instrument outside of its technical specifications requires the instrument to be taken out of service immediately and inspected by an authorised WIKA service engineer.

The manufacturer shall not be liable for claims of any type based on operation contrary to the intended use.

### 3.3 Responsibility of the operator

The system operator is responsible for selecting the thermometer or thermowell, and for the selection of their materials, so as to guarantee their safe operation within the plant or machine. When preparing a quote, WIKA can only give recommendations which are based on our experience in similar applications.

The safety instructions within these operating instructions, as well as the safety, accident prevention and environmental protection regulations for the application area must be maintained.

The operator is obliged to maintain the product label in a legible condition.

### 3.4 Personnel qualification



#### **WARNING!**

#### **Risk of injury should qualification be insufficient**

Improper handling can result in considerable injury and damage to property.

- ▶ The activities described in these operating instructions may only be carried out by skilled electrical personnel who have the qualifications described below.

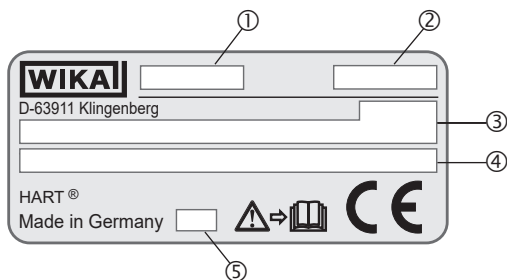
#### **Skilled personnel**

Skilled personnel are understood to be personnel who, based on their technical training, knowledge of measurement and control technology and on their experience and knowledge of country-specific regulations, current standards and directives, are capable of carrying out the work described and independently recognising potential hazards.

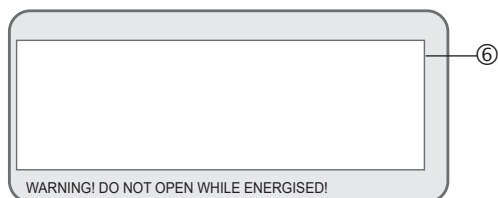
Special operating conditions require further appropriate knowledge, e.g. of aggressive media.

## 3.5 Labelling, safety marking

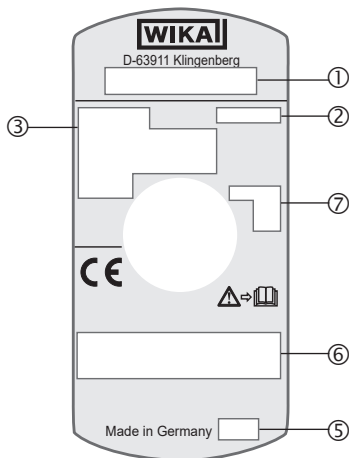
### Product label (example)






### ■ Additional information for Ex instruments



### ■ Product label for Tx10-1 (replacement measuring insert)



- ① Model
- ② Serial number
- ③ Information on version (measuring element, measuring range ...)  
Sensor in accordance with standard (thermocouple)
  - ungrounded
  - grounded
- ④ Transmitter model (only for design with transmitter)
- ⑤ Year of manufacture
- ⑥ Approval-related data
- ⑦ Sensor symbol
  - ungrounded      = ungrounded welded
  - grounded         = welded to the sheath (grounded)
  - quasi grounded    = The thermometer is, due to its low insulation clearances between resistance sensor and sheath, to be considered as grounded.



## 3. Safety / 4. Transport, packaging and storage



Before mounting and commissioning the instrument, ensure you read the operating instructions!

EN

## 4. Transport, packaging and storage

### 4.1 Transport

Check the instrument for any damage that may have been caused by transport. Obvious damage must be reported immediately.



#### **CAUTION!**

#### **Damage through improper transport**

With improper transport, a high level of damage to property can occur.

- ▶ When unloading packed goods upon delivery as well as during internal transport, proceed carefully and observe the symbols on the packaging.
- ▶ With internal transport, observe the instructions in chapter 4.2 “Packaging and storage”.

If the instrument is transported from a cold into a warm environment, the formation of condensation may result in instrument malfunction. Before putting it back into operation, wait for the instrument temperature and the room temperature to equalise.

### 4.2 Packaging and storage

Do not remove packaging until just before mounting. Keep the packaging as it will provide optimum protection during transport (e.g. change in installation site, sending for repair).

#### **Permissible conditions at the place of storage:**

- Storage temperature: -40 ... +80 °C [-40 ... +176 °F]
- Humidity: 35 ... 85 % relative humidity (no condensation)

#### **Avoid exposure to the following factors:**

- Direct sunlight or proximity to hot objects
- Mechanical vibration, mechanical shock (putting it down hard)
- Soot, vapour, dust and corrosive gases
- Hazardous environments, flammable atmospheres

Store the instrument in its original packaging in a location that fulfils the conditions listed above. If the original packaging is not available, pack and store the instrument as described below:

1. Place the instrument along with shock-absorbent material in the packaging.
2. If stored for a prolonged period of time (more than 30 days), place a bag containing a desiccant inside the packaging.

# 5. Commissioning, operation

## 5. Commissioning, operation

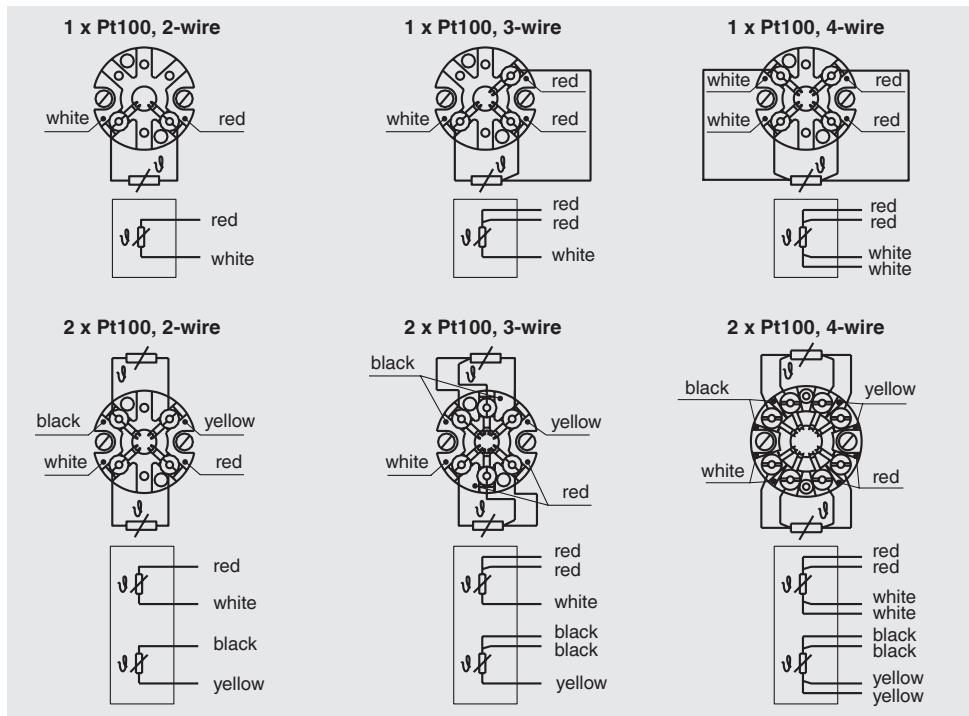
### 5.1 Removal and installation of the measuring insert

When servicing or recalibrating is necessary, make sure that both surfaces of the flameproof joint (flame path fitting and measuring insert) are not damaged when installing the measuring insert. Damaged or scratched parts of the flameproof joint must be replaced.

### 5.2 Electrical connection

#### 5.2.1 Connection to terminal block

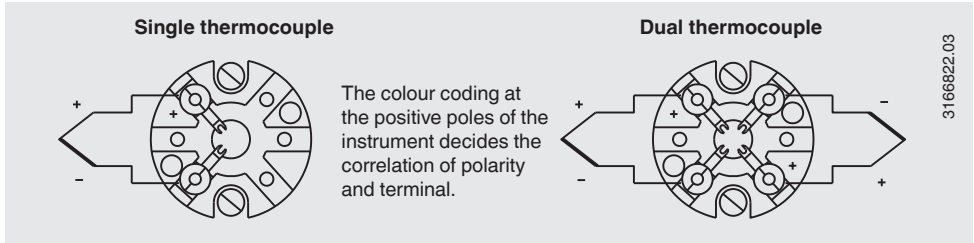
##### Model TR10-0



Assignment and colour coding for Pt1000 as well as for Pt100  
Pt1000 only available as single elements

## 5. Commissioning, operation

### Model TC10-0



EN

#### 5.2.2 Connection to built-in transmitter

For the electrical specifications (e.g. connection diagrams, tolerance values, etc.) please refer to the relevant operating instructions and/or data sheet for the built-in head-mounted transmitter.

Junction between cable and appropriate conduit/sealing fitting:

Screw the male nut **tightly** into the adapter (use appropriate tools!)

#### During installation, take care to

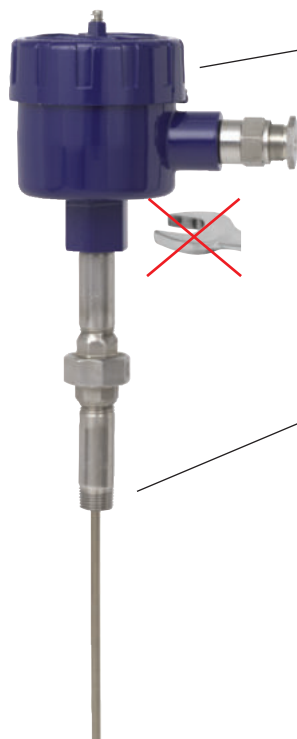
- Avoid distorting the cable sheath when tightening the male nut.
- Avoid cutting too deep into the cable sheath.
- Use suitable cable/conduit.
- Be careful of the clamping zone of the conduit/sealing fitting.

Refer to NEC/CEC for additional information.

## 5. Commissioning, operation

### 5.3 Tightening torques

EN



Connection head, selectable (example)

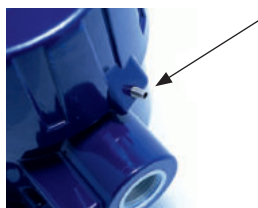
Tightening torques for connection to thermowell

Thread	Tightening torques
1/2 NPT	T.F.F.T. 2 - 3 <sup>1)</sup>
3/4 NPT	T.F.F.T. 2 - 3 <sup>1)</sup>
G 1/2 B	35 Nm
G 3/4 B	40 Nm
M14 x 1.5	25 ... 30 Nm
M18 x 1.5	35 Nm
M20 x 1.5	35 ... 40 Nm
M27 x 2	40 ... 45 Nm

1) Turns from finger tight (T.F.F.T.)

- Only ever screw in, or unscrew, the instrument via the spanner flats and to the prescribed torque using an appropriate tool.
- The correct torque depends on the dimensions of the connection thread and the gasket used (form/material).
- Screwing or unscrewing the connection head is not permitted.
- When screwing in the instrument, please observe that the threads are not skewed.

### 5.4 Locking screw



Always tighten the locking screw to prevent unintended opening of the head with flameproof enclosure.

Before opening the head, always loosen the locking screw sufficiently.

### 6. Information on mounting and operation in hazardous areas



#### **WARNING!**

Non-observance of these instructions and their contents may result in the loss of explosion protection.



The requirements of CSA and FM must be followed. Additionally the specifications of the respective national regulations concerning usage (e.g. CEC and NEC) apply.

- The responsibility for area classification lies with the plant operator and not the manufacturer/supplier of the equipment.
- The plant operator guarantees, and is solely responsible, that all thermometers in use are identifiable with respect to all safety-relevant characteristics. Damaged thermometers may not be used.
- For the installation of the thermometer, only components (e.g. cables, cable glands, etc.) permitted for “flameproof” may be used.
- For earthing the conductive screen, follow the specifications of CEC or NEC.
- When using a transmitter/digital display, note and follow:
  - The contents of these operating instructions and those of the transmitter/digital display
  - The relevant regulations for installation and use of electrical systems
  - The regulation and guidelines regarding explosion protection
- The flameproof thermometers should only be fitted to certified enclosure or connection heads certified with a “flameproof” ignition protection type.
- For fitting, the permitted flameproof joints for electrical equipment for gas hazardous areas are contained in CSA C22.2 No. 30, CSA 60079-1 and FM 3615.
- The direct threaded connection of the thermometer to the connection head or enclosure must not be twisted or opened. Any alignment of the enclosure may only be made using the optional “nipple-union-nipple” neck tube.
- The temperature resistance of the connection cable must match the permissible operating temperature of the enclosure. For ambient temperatures above 60 °C [140 °F], heat-resistant connection cable must be used.
- No batteries may be built in to the flameproof enclosure.
- No capacitor may be fitted within the flameproof enclosure. The enclosure must not be opened during operation. After the supply voltage has been switched off, a waiting time of 2 minutes must be observed before the enclosure is opened.
- Mounting within metal enclosures:

The enclosure must be grounded against electromagnetic fields and electrostatic discharge. It does not have to be connected separately to the equipotential bonding system. It is sufficient if the metal thermowell has a solid and secured contact with the metal vessel or its structural components or pipelines, so long as these components are connected to the equipotential bonding system.

## 6. Information on mounting ... / 7. Safety-related instructions

- Neither repairs nor structural modifications are permitted, and any would void the guarantee and the respective certification.
- The manufacturer shall not be responsible for constructional modifications after delivery of the instruments.

EN

## 7. Safety-related instructions

### 7.1 Marking

Design	CSA		FM
	Class/Division	Zone	Class/Division
<b>Without flame path</b> with thermowell (minimum wall thickness 1 mm)	Class I, division 1, groups B, C, D	CAN zones FP: Ex d IIC Gb T6/ T5/T4	Class I, division 1, groups B, C, D
	Class II, groups E, F, G Class III Enclosure type 4 or 4X	USA zones FP: Class I, zone 1, AEx d IIC Gb T6/T5/T4	Class II, groups E, F, G Class III Enclosure type 4 or 4X
<b>With flame path</b> with protection tube (minimum wall thickness 1 mm)	Class I, division 1, groups B, C, D	CAN zones FP: Ex d IIB+H2 Gb T6/T5/T4	Class I, division 1, groups B, C, D
	Class II, groups E, F, G Class III Enclosure type 4 or 4X	USA zones FP: Class I, zone 1, AEx d IIB+H2 Gb T6/T5/T4	Class II, groups E, F, G Class III Enclosure type 4 or 4X
<b>With flame path</b> without thermowell	Class I, division 1, groups B, C, D	CAN zones FP: Ex d IIB+H2 Gb T6/T5/T4	Class I, division 1, groups B, C, D
	Class II, groups E, F, G Class III Enclosure type 4 or 4X	USA zones FP: Class I, zone 1, AEx d IIB+H2 Gb T6/T5/T4	Class II, groups E, F, G Class III Enclosure type 4 or 4X
<b>Welded bushing</b>	Class I, division 1, groups B, C, D	CAN zones FP: Ex d IIC Gb T6/ T5/T4	Class I, division 1, groups B, C, D
	Class II, groups E, F, G Class III Enclosure type 4 or 4X	USA zones FP: Class I, zone 1, AEx d IIC Gb T6/T5/T4	Class II, groups E, F, G Class III Enclosure type 4 or 4X

### Electrical parameters

Maximum DC 30 V, 20 mA

# 7. Safety-related instructions

EN

## 7.2 Special conditions for safe use

1. The ambient temperature limits are:

CSA, T6: -50 ... +60 °C [-58 ... +140 °F]

CSA, T5: -50 ... +75 °C [-58 ... +167 °F]

CSA, T4: -50 ... +85 °C [-58 ... +185 °F]

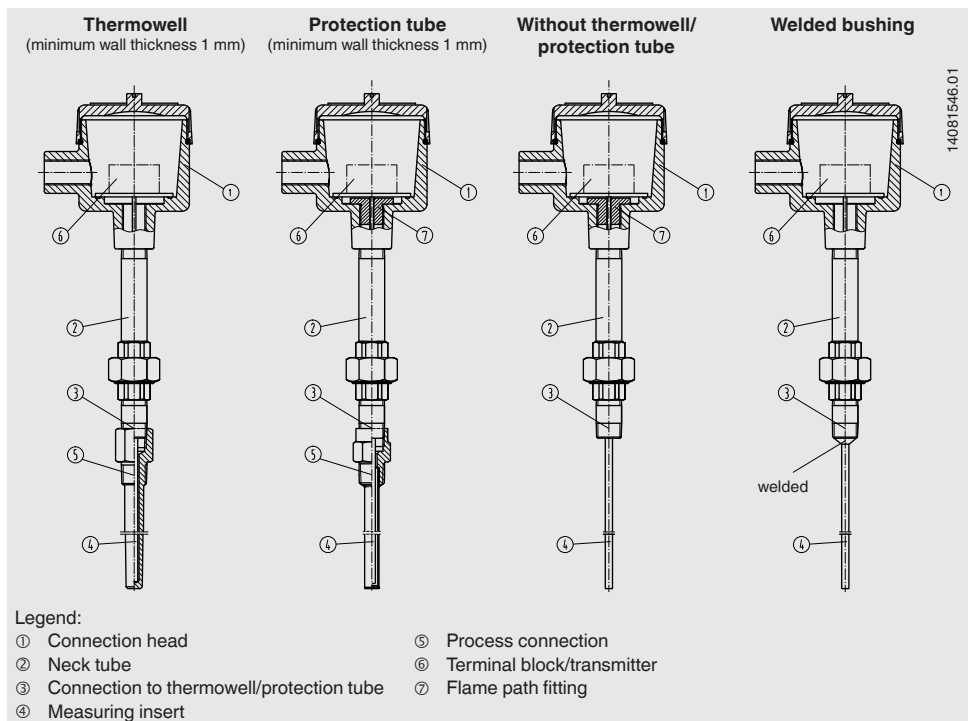
FM class/division, T6: -25 ... +40 °C [-13 ... +104 °F]

2. Care shall be taken to ensure that any external sources of heating or cooling do not cause the assembly to operate outside of the allowable ambient temperature range.

3. All cable entry devices shall be suitably certified and compatible with the type of protection used.

4. Where nipples, unions and/or couplers are used for sensor connections, they shall be suitably certified and be compatible with the marking of this assembly. Nipples shall have a maximum length  $\leq 15.24$  cm [6 in].

5. For ambient temperatures above 70 °C [158 °F], care shall be taken to select cable that is suitably rated for the intended ambient temperature range.



14503941.01 11/2021 EN/DE/FR/ES

## 7. Safety-related instructions / 8. Faults

### Temperature class classification, ambient temperatures

A heating in the connection head can occur with built-in transmitter through faulty electronics. The permissible ambient temperatures depend on the cases used and any additionally fitted head-mounted transmitter.

### For all WIKA connection heads with built-in WIKA temperature transmitters, the following interrelation is valid:

The temperature increase on the surface of the connection head or case is less than 25 K if the following conditions are observed: supply voltage  $U_B$  maximum DC 30 V when the transmitter is operated in a current limit of 22.5 mA.

The temperature class is dependent upon the user application and the ambient temperature. The permissible ambient temperatures for third-party products can be seen from the relevant approvals and/or data sheets. However, an impermissible heat reflux from the process which can exceed the operating temperature of the case or the temperature class, must be prevented through suitable heat insulation or a suitably long neck tube.

## 8. Faults



### **DANGER!**

#### **Danger to life from explosion**

Through working in flammable atmospheres, there is a risk of explosion which can cause death.

- ▶ Only rectify faults in non-flammable atmospheres!



### **CAUTION!**

#### **Physical injuries and damage to property and the environment**

If faults cannot be eliminated by means of the listed measures, the instrument must be taken out of operation immediately.

- ▶ Ensure that there is no longer any signal present and protect against being put into operation accidentally.
- ▶ Contact the manufacturer.
- ▶ If a return is needed, please follow the instructions given in chapter 10.2 "Return".



For contact details, please see chapter 1 "General information" or the back page of the operating instructions.



## 8. Faults

EN

Faults	Causes	Measures
<b>No signal/line break</b>	Mechanical load too high or overtemperature	Replacement of the sensor or the measuring insert with a suitable version
<b>Erroneous measured values</b>	Sensor drift caused by overtemperature	Replacement of the sensor or the measuring insert with a suitable version
	Sensor drift caused by chemical attack	Use of a suitable thermowell
<b>Erroneous measured values (too low)</b>	Entry of moisture into cable or measuring insert	Replacement of the sensor or the measuring insert with a suitable version
<b>Erroneous measured values and response times too long</b>	Wrong mounting geometry, for example mounting depth too deep or heat dissipation too high	The temperature-sensitive area of the sensor must be inside the medium, and surfaces must be ungrounded
	Deposits on the sensor or thermowell	Remove deposits
<b>Erroneous measured values (of thermocouples)</b>	Parasitic voltages (thermal voltages, galvanic voltage) or wrong equalisation line	Check polarity Use of a suitable equalisation line
<b>Indication of the measured value jumps</b>	Cable break in connection cable or loose contact caused by mechanical overload	Replacement of the sensor or measuring insert with a suitable design, for example fitted with strain relief or a thicker conductor cross-section
<b>Corrosion</b>	Composition of the medium not as expected or modified or wrong thermowell material selected	Analyse medium and then select a more suitable material or replace thermowell regularly
<b>Signal interference</b>	Stray currents caused by electric fields or earth circuits	Use of screened connection cables, increase in the distance to motors and power lines
	Earth circuits	Elimination of potentials, use of galvanically isolated transmitter supply isolators or transmitters

### 9. Maintenance, cleaning and recalibration

EN



For contact details, please see chapter 1 “General information” or the back page of the operating instructions.

#### 9.1 Maintenance

The thermometers described here are maintenance-free.  
Repairs must only be carried out by the manufacturer.

#### 9.2 Cleaning



##### **CAUTION!**

##### **Physical injuries and damage to property and the environment**

Improper cleaning may lead to physical injuries and damage to property and the environment. Residual media in the dismantled instrument can result in a risk to persons, the environment and equipment.

► Carry out the cleaning process as described below.

1. Prior to cleaning the electrical connections, disconnect them properly.
2. Clean the instrument with a moist cloth.
3. Electrical connections must not come into contact with moisture.



##### **CAUTION!**

##### **Damage to the instrument**

Improper cleaning may lead to damage to the instrument!

- Do not use any aggressive cleaning agents.
- Do not use any pointed and hard objects for cleaning.

4. Wash or clean the dismantled instrument, in order to protect persons and the environment from exposure to residual media.  
Residual media in the dismantled instrument can result in a risk to persons, the environment and equipment. Take sufficient precautionary measures.

#### 9.3 Calibration, recalibration

It is recommended that the measuring insert is recalibrated at regular intervals (resistance thermometers: approx. 24 months, thermocouples: approx. 12 months). This period can reduce, depending on the particular application. The calibration can be carried out by the manufacturer, as well as on-site by qualified technical staff with calibration instruments.

For calibration, the measuring insert is removed from the thermometer. The minimum length (metal part of the probe) for carrying out a measurement accuracy test 3.1 or DAkkS is 100 mm [3.94 in].

Calibration of shorter lengths on request.

## 10. Dismounting, return and disposal

### 10.1 Dismounting



#### **WARNING!**

#### **Physical injuries and damage to property and the environment through residual media**

Upon contact with hazardous media (e.g. oxygen, acetylene, flammable or toxic substances), harmful media (e.g. corrosive, toxic, carcinogenic, radioactive), and also with refrigeration plants and compressors, there is a danger of physical injuries and damage to property and the environment.

- ▶ Before storage of the dismantled instrument (following use) wash or clean it, in order to protect persons and the environment from exposure to residual media.
- ▶ Use the required protective equipment (depending on the application; the thermometer itself is basically not dangerous).
- ▶ Observe the information in the material safety data sheet for the corresponding medium.

Only disconnect the thermometer once the system has been depressurised.



#### **WARNING!**

#### **Risk of burns**

During dismantling there is a risk of dangerously hot media escaping.

- ▶ Let the instrument cool down sufficiently before dismantling it!

### 10.2 Return

#### **Strictly observe the following when shipping the instrument:**

All instruments delivered to WIKA must be free from any kind of hazardous substances (acids, bases, solutions, etc.) and must therefore be cleaned before being returned.

When returning the instrument, use the original packaging or a suitable transport package.

#### **To avoid damage:**

1. Place the instrument along with shock-absorbent material in the packaging.  
Place shock-absorbent material evenly on all sides of the transport packaging.
2. If possible, place a bag containing a desiccant inside the packaging.
3. Label the shipment as carriage of a highly sensitive measuring instrument.



Information on returns can be found under the heading “Service” on our local website.

## 10. Dismounting, return and disposal / 11. Specifications

### 10.3 Disposal

Incorrect disposal can put the environment at risk.

Dispose of instrument components and packaging materials in an environmentally compatible way and in accordance with the country-specific waste disposal regulations.

EN



Do not dispose of with household waste. Ensure a proper disposal in accordance with national regulations.

## 11. Specifications

### Measuring insert

<b>Versions</b>	Vibration-resistant, sheathed measuring cable (MI cable)	
<b>Optimal heat transfer</b>	<b>Requirement</b>	<ul style="list-style-type: none"><li>■ Correct measuring insert length</li><li>■ Correct measuring insert diameter</li></ul>
	<b>Bore diameter of the thermowell</b>	Max. 1 mm [0.04 in] larger than measuring insert diameter
	<b>Joint width</b>	For joint width > 0.5 mm [> 0.02 in] between thermowell and measuring insert: → Negative impact on heat transfer → Unfavourable response behaviour of the thermometer
<b>Insertion length</b>	When fitting the measuring insert into a thermowell, it is very important to determine the correct insertion length (= thermowell length for bottom thicknesses of ≤ 5.5 mm [≤ 0.22 in]). In order to ensure that the measuring insert is firmly pressed down onto the bottom of the thermowell, the insert must be spring-loaded (spring travel: 0 ... 10 mm [0 ... 0.39 in]).	
<b>Spring travel</b>		
Spring-loaded plate	max. 10 mm [0.39 in]	
Self-gripping spring	max. 20 mm [0.79 in]	

### Operating conditions

<b>Ambient and storage temperature</b>	-40 ... +80 °C [-40 ... +176 °F]
<b>Vibration resistance</b>	The information on vibration resistance refers to the tip of the measuring insert. → For detailed specifications on the vibration resistance of Pt100 sensors, see Technical information IN 00.17 at <a href="http://www.wika.de">www.wika.de</a> .
Standard	6 g peak-to-peak, wire-wound measuring resistor or thin film
Option	<ul style="list-style-type: none"><li>■ Vibration-resistant probe tip, max. 20 g peak-to-peak, thin-film measuring resistor</li><li>■ Highly vibration-resistant probe tip, max. 50 g peak-to-peak, thin-film measuring resistor</li></ul>

14503941.01 11/2021 EN/DE/FR/ES

# 11. Specifications

EN

## IP ingress protection per IEC/EN 60529

First index number	Degree of protection / Short description	Test parameters
<b>Degrees of protection against solid foreign bodies (defined by the 1st index number)</b>		
5	Dust-protected	Per IEC/EN 60529
6	Dust-tight	Per IEC/EN 60529
<b>Degrees of protection against water (defined by the 2nd index number)</b>		
4	Protected against splash water	Per IEC/EN 60529
5	Protected against water jets	Per IEC/EN 60529
6	Protected against strong water jets	Per IEC/EN 60529
7 <sup>1)</sup>	Protected against the effects of temporary immersion in water	Per IEC/EN 60529
8 <sup>1)</sup>	Protected against the effects of permanent immersion in water	As agreed upon

1) Ingress protections, describing temporary or permanent immersion, on request

Standard ingress protection of model Tx10-0 is IP65.

The specified degrees of protection apply under the following conditions:

- Use of a suitable thermowell (without suitable thermowell: IP40)
- Use of a suitable cable gland
- Use of a cable cross-section appropriate for the gland or select the appropriate cable gland for the available cable
- Adhere to the tightening torques for all threaded connections

### 11.1 Model TR10-0

Measuring element		
Type of measuring element	Pt100, Pt1000 <sup>1)</sup>	
Measuring current	0.1 ... 1.0 mA	
Validity limits of the class accuracy in accordance with EN 60751		
Class B	Wire-wound	-196 ... +600 °C [-321 ... +1,112 °F]
	Thin-film	-50 ... +500 °C [-58 ... +932 °F]
Class A <sup>2)</sup>	Wire-wound	-100 ... +450 °C [-148 ... +842 °F]
	Thin-film	-30 ... +300 °C [-22 ... +572 °F]
Class AA <sup>2)</sup>	Wire-wound	-50 ... +250 °C [-58 ... +482 °F]
	Thin-film	0 ... 150 °C [-32 ... +302 °F]

1) Pt1000 only available as a thin-film measuring resistor

2) Not with 2-wire connection method

For further specifications see WIKA data sheet TE 61.01 and the order documentation.

14503941.01 11/2021 EN/DE/FR/ES

# 11. Specifications

## 11.2 Model TC10-0

Measuring element		
<b>Type of measuring element</b>	Thermocouple per IEC 60584-1 or ASTM E230 Types K, J, E, N, T	
<b>Measuring current</b>	<ul style="list-style-type: none"> <li>■ Ungrounded welded (standard)</li> <li>■ Welded to the bottom (grounded)</li> </ul>	
Validity limits of the class accuracy per EN 60584-1		
Type K	Class 2	-40 ... +1,200 °C [-40 ... +2,192 °F]
	Class 1	-40 ... +1,000 °C [-40 ... +1,832 °F]
Type J	Class 2	-40 ... +750 °C [-40 ... +1,382 °F]
	Class 1	-40 ... +750 °C [-40 ... +1,382 °F]
Type E	Class 2	-40 ... +900 °C [-40 ... +1,652 °F]
	Class 1	-40 ... +800 °C [-40 ... +1,472 °F]
Type N	Class 2	-40 ... +1,200 °C [-40 ... +2,192 °F]
	Class 1	-40 ... +1,000 °C [-40 ... +1,832 °F]
Type T	Class 2	-40 ... +350 °C [-40 ... +662 °F]
	Class 1	-40 ... +350 °C [-40 ... +662 °F]
Validity limits of the class accuracy in accordance with ASTM-E230		
Type K	Standard	0 ... 1,260 °C [32 ... 2,300 °F]
	Special	0 ... 1,260 °C [32 ... 2,300 °F]
Type J	Standard	0 ... 760 °C [32 ... 1,400 °F]
	Special	0 ... 760 °C [32 ... 1,400 °F]
Type E	Standard	0 ... 870 °C [32 ... 1,598 °F]
	Special	0 ... 870 °C [32 ... 1,598 °F]
Type N	Standard	0 ... 1,260 °C [32 ... 2,300 °F]
	Special	0 ... 1,260 °C [32 ... 2,300 °F]
Type T	Standard	0 ... 370 °C [32 ... 698 °F]
	Special	0 ... 370 °C [32 ... 698 °F]

For further specifications see WIKA data sheet TE 66.01 and the order documentation.

# Inhalt

<b>1. Allgemeines</b>	<b>24</b>
<b>2. Aufbau und Funktion</b>	<b>24</b>
<b>3. Sicherheit</b>	<b>26</b>
<b>4. Transport, Verpackung und Lagerung</b>	<b>29</b>
<b>5. Inbetriebnahme, Betrieb</b>	<b>30</b>
<b>6. Hinweise zu Montage und Betrieb im explosionsgefährdeten Bereich</b>	<b>33</b>
<b>7. Sicherheitstechnische Hinweise</b>	<b>34</b>
<b>8. Störungen</b>	<b>36</b>
<b>9. Wartung, Reinigung and Rekalibrierung</b>	<b>38</b>
<b>10. Demontage, Rücksendung und Entsorgung</b>	<b>39</b>
<b>11. Technische Daten</b>	<b>40</b>

## 1. Allgemeines

- Das in der Betriebsanleitung beschriebene Gerät wird nach dem aktuellen Stand der Technik gefertigt. Alle Komponenten unterliegen während der Fertigung strengen Qualitäts- und Umweltkriterien. Unsere Managementsysteme sind nach ISO 9001 und ISO 14001 zertifiziert.
- Diese Betriebsanleitung gibt wichtige Hinweise zum Umgang mit dem Gerät. Voraussetzung für sicheres Arbeiten ist die Einhaltung aller angegebenen Sicherheitshinweise und Handlungsanweisungen.
- Die für den Einsatzbereich des Gerätes geltenden örtlichen Unfallverhütungsvorschriften und allgemeinen Sicherheitsbestimmungen einhalten.
- Die Betriebsanleitung ist Produktbestandteil und muss in unmittelbarer Nähe des Gerätes für das Fachpersonal jederzeit zugänglich aufbewahrt werden.
- Das Fachpersonal muss die Betriebsanleitung vor Beginn aller Arbeiten sorgfältig durchgelesen und verstanden haben.
- Die Haftung des Herstellers erlischt bei Schäden durch bestimmungswidrige Verwendung, Nichtbeachten dieser Betriebsanleitung, Einsatz ungenügend qualifizierten Fachpersonals sowie eigenmächtiger Veränderung am Gerät.
- Es gelten die allgemeinen Geschäftsbedingungen in den Verkaufsunterlagen.
- Technische Änderungen vorbehalten.
- Weitere Informationen:

## 2. Aufbau und Funktion

### 2.1 Beschreibung

Die elektrischen Thermometer der Typen TR10-0 (Widerstandsthermometer) bzw. TC10-0 (Thermoelement) bestehen aus einem Messeinsatz, welcher in ein zertifiziertes Gehäuse eingebaut ist. Der Messeinsatz wirkt in Verbindung mit einem im Kopf eingeschraubten Passungsbuchse als zünddurchschlagsicherer Spalt. Der Messeinsatz (TR10-1, TC10-1) ist auswechselbar.

### Sensoraufbau in Typ TR10-0

Der Messwiderstand ist eingebettet in Keramikpulver, hitzebeständiger Vergussmasse, Zementkitt oder Wärmeleitpaste. Eine geschweißte Kappe bildet die äußere Hülle der Sensorspitze des Messeinsatzes.



### Sensoraufbau in Typ TC10-0

Der Messeinsatz des Thermoelementes ist aus mineralisierter Leitung gefertigt. Das Thermoelement wird durch die Innenleiter der mineralisierten Leitung gebildet. Der Schweißpunkt des Thermoelementes ist je nach Ausführung mit den Innenleitern der mineralisierten Leitung isoliert oder nicht isoliert verschweißt.

Wenn der Temperatursensor als geerdetes Thermoelement ausgeführt ist, ist das Thermoelement direkt mit dem Mantel verbunden. Ausführungen mit Durchmesser kleiner 3 mm und geerdete Thermoelemente sind als galvanisch mit Erdpotential verbunden zu betrachten.

### Verfügbare Ausführungen:

- Passungsbuchse ohne einteiliges Schutzrohr
- Passungsbuchse mit einteiligem Schutzrohr
- Thermometer ohne Passungsbuchse können als geschweißte Buchse ohne einteiliges Schutzrohr konzipiert sein

Thermometer ohne Passungsbuchse dürfen nur in Kombination mit einem massiv bearbeiteten, zugelassenen einteiligen WIKA-Schutzrohr mit Mindestwandstärke 1 mm eingesetzt werden.

Bei Einbau einer Passungsbuchse in den Anschlusskopf des Thermometers ist ein Schutzrohr aus Zulassungsgründen nicht zwingend notwendig. Der Einsatz eines Schutzrohres, (mit einer Mindestwandstärke von 1 mm) ist aber in den meisten Fällen aus prozesstechnischen Gründen notwendig.

Die Bauform des einteiligen Schutzrohres ist beliebig auswählbar, jedoch sind die operativen Prozessdaten (Temperatur, Druck, Dichte und Strömungsgeschwindigkeit) zu berücksichtigen. Ist ein WIKA-Schutzrohr bereits vorhanden bzw. bereits eingebaut, ist eine Passungsbuchse nicht erforderlich.

Die Thermometer Typen TR10-0 bzw. TC10-0 sind mit zertifizierten Anschlussköpfen bzw. Anschlussgehäusen von WIKA gefertigt. Diese Gehäuse und Deckel sind aus Aluminium oder CrNi-Stahl hergestellt. Der Deckel ist optional mit einem Glasfenster versehen.

Mögliche Sensormessbereiche, siehe Kapitel 11 „Technische Daten“

Die nachfolgenden Einbau- und Betriebshinweise wurden mit Sorgfalt zusammengestellt. Es ist jedoch nicht möglich, alle erdenklichen Anwendungsfälle zu berücksichtigen.

### 2.2 Lieferumfang

Lieferumfang mit dem Lieferschein abgleichen.

### 3. Sicherheit

#### 3.1 Symbolerklärung



#### **WARNUNG!**

... weist auf eine möglicherweise gefährliche Situation hin, die zum Tod oder zu schweren Verletzungen führen kann, wenn sie nicht gemieden wird.



#### **VORSICHT!**

... weist auf eine möglicherweise gefährliche Situation hin, die zu geringfügigen oder leichten Verletzungen bzw. Sach- und Umweltschäden führen kann, wenn sie nicht gemieden wird.



#### **WARNUNG!**

... weist auf eine möglicherweise gefährliche Situation im explosionsgefährdeten Bereich hin, die zum Tod oder zu schweren Verletzungen führen kann, wenn sie nicht gemieden wird.



#### **WARNUNG!**

... weist auf eine möglicherweise gefährliche Situation hin, die durch heiße Oberflächen oder Flüssigkeiten zu Verbrennungen führen kann, wenn sie nicht gemieden wird.



#### **Information**

... hebt nützliche Tipps und Empfehlungen sowie Informationen für einen effizienten und störungsfreien Betrieb hervor.

#### 3.2 Bestimmungsgemäße Verwendung

Diese Widerstandsthermometer und Thermoelemente dienen zur Temperaturmessung in industriellen Anwendungen, in explosionsgefährdeten Bereichen.

Das Gerät ist ausschließlich für den hier beschriebenen bestimmungsgemäßen Verwendungszweck konzipiert und konstruiert und darf nur dementsprechend verwendet werden.

Die technischen Spezifikationen in dieser Betriebsanleitung sind einzuhalten. Eine unsachgemäße Handhabung oder ein Betreiben des Gerätes außerhalb der technischen Spezifikationen macht die sofortige Stilllegung und Überprüfung durch einen autorisierten WIKA-Servicemitarbeiter erforderlich.

Ansprüche jeglicher Art aufgrund von nicht bestimmungsgemäßer Verwendung sind ausgeschlossen.

### 3.3 Verantwortung des Betreibers

Die Verantwortung für die Auswahl des Thermometers bzw. einteiligen Schutzrohres, sowie für deren Werkstoffauswahl zur Gewährleistung einer sicheren Funktion in der Anlage bzw. Maschine obliegt dem Betreiber. WIKA kann während der Angebotserstellung lediglich Empfehlungen aussprechen, die sich an unseren Erfahrungen in ähnlichen Anwendungen orientieren.

Die Sicherheitshinweise dieser Betriebsanleitung, sowie die für den Einsatzbereich des Gerätes gültigen Sicherheits-, Unfallverhütungs- und Umweltschutzvorschriften einhalten.

Der Betreiber ist verpflichtet das Typenschild lesbar zu halten.

### 3.4 Personalqualifikation



#### **WARNUNG!**

#### **Verletzungsgefahr bei unzureichender Qualifikation**

Unsachgemäßer Umgang kann zu erheblichen Personen- und Sachschäden führen.

- ▶ Die in dieser Betriebsanleitung beschriebenen Tätigkeiten nur durch Elektrofachpersonal nachfolgend beschriebener Qualifikation durchführen lassen.

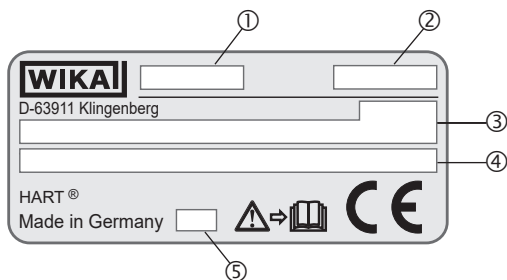
#### **Fachpersonal**

Das Fachpersonal ist aufgrund seiner fachlichen Ausbildung, seiner Kenntnisse der Mess- und Regelungstechnik und seiner Erfahrungen sowie Kenntnis der landesspezifischen Vorschriften, geltenden Normen und Richtlinien in der Lage, die beschriebenen Arbeiten auszuführen und mögliche Gefahren selbstständig zu erkennen.

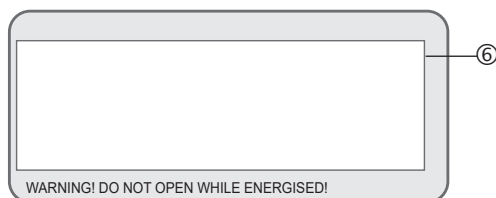
Spezielle Einsatzbedingungen verlangen weiteres entsprechendes Wissen, z. B. über aggressive Messstoffe.

## 3.5 Beschilderung, Sicherheitskennzeichnung

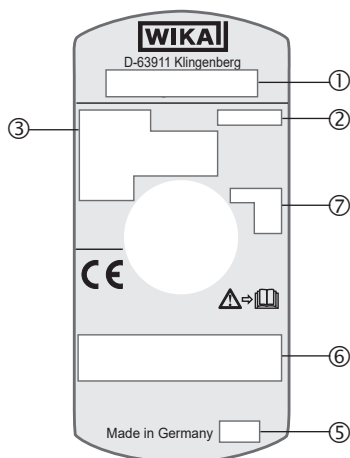
### Typenschild (Beispiel)






#### ■ Zusatzinformationen für Ex-Geräte



#### ■ Typenschild für Tx10-1 (Austausch-Messeinsatz)



- ① Typ
- ② Seriennummer
- ③ Angaben zur Ausführung (Messelement, Messbereich ...)  
Sensor nach Norm (Thermoelement)
  - nicht geerdet
  - geerdet
- ④ Transmittertyp (nur bei Ausführung mit Transmitter)
- ⑤ Herstellungsjahr
- ⑥ Zulassungsrelevante Daten
- ⑦ Sensorsymbol
  - nicht geerdet  = isoliert verschweißt
  - geerdet  = mit dem Mantel verschweißt
  - quasi geerdet  = Das Thermometer ist, aufgrund geringer Isolationsabstände zwischen Widerstandssensor und Mantel, als geerdet zu betrachten.



Vor Montage und Inbetriebnahme des Gerätes unbedingt die Betriebsanleitung lesen!

## 4. Transport, Verpackung und Lagerung

### 4.1 Transport

Gerät auf eventuell vorhandene Transportschäden untersuchen.  
Offensichtliche Schäden unverzüglich mitteilen.



#### **VORSICHT!**

#### **Beschädigungen durch unsachgemäßen Transport**

Bei unsachgemäßem Transport können Sachschäden in erheblicher Höhe entstehen.

- ▶ Beim Abladen der Packstücke, bei Anlieferung sowie innerbetrieblichem Transport vorsichtig vorgehen und die Symbole auf der Verpackung beachten.
- ▶ Bei innerbetrieblichem Transport die Hinweise unter Kapitel 4.2 „Verpackung und Lagerung“ beachten.

Wird das Gerät von einer kalten in eine warme Umgebung transportiert, so kann durch Kondensatbildung eine Störung der Gerätefunktion eintreten. Vor einer erneuten Inbetriebnahme die Angleichung der Gerätetemperatur an die Raumtemperatur abwarten.

### 4.2 Verpackung und Lagerung

Verpackung erst unmittelbar vor der Montage entfernen. Die Verpackung aufbewahren, denn diese bietet bei einem Transport einen optimalen Schutz (z. B. wechselnder Einbauort, Reparatursendung).

#### **Zulässige Bedingungen am Lagerort:**

- Lagertemperatur: -40 ... +80 °C [-40 ... +176 °F]
- Feuchtigkeit: 35 ... 85 % relative Feuchte (keine Betauung)

#### **Folgende Einflüsse vermeiden:**

- Direktes Sonnenlicht oder Nähe zu heißen Gegenständen
- Mechanische Vibration, mechanischer Schock (hartes Aufstellen)
- Ruß, Dampf, Staub und korrosive Gase
- Explosionsgefährdete Umgebung, entzündliche Atmosphären

Das Gerät in der Originalverpackung an einem Ort, der die oben gelisteten Bedingungen erfüllt, lagern. Wenn die Originalverpackung nicht vorhanden ist, dann das Gerät wie folgt verpacken und lagern:

1. Das Gerät mit dem Dämmmaterial in der Verpackung platzieren.
2. Bei längerer Einlagerung (mehr als 30 Tage) einen Beutel mit Trocknungsmittel der Verpackung beilegen.

## 5. Inbetriebnahme, Betrieb

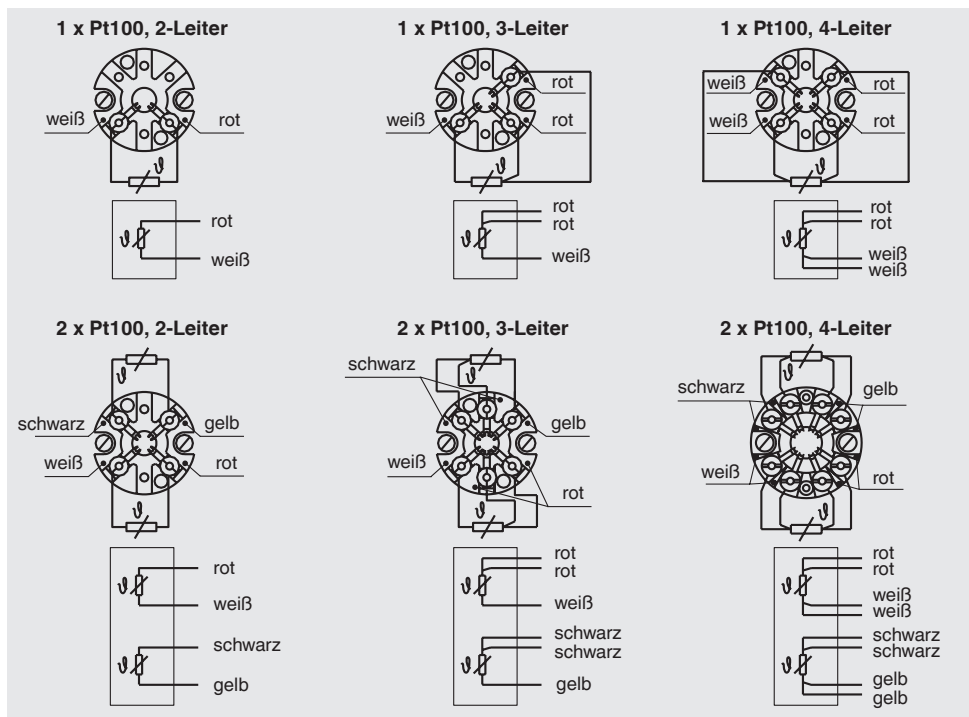
### 5.1 Aus- und Einbau des Messeinsatzes

Sind Wartungsarbeiten oder eine Rekalibrierung erforderlich, ist darauf zu achten, dass die beiden Oberflächen des zünddurchschlagsicheren Spaltes (Passungsbuchse und Messeinsatz) beim Einbau des Messeinsatzes nicht beschädigt werden. Beschädigte oder verkratzte Teile des zünddurchschlagsicheren Spaltes müssen ersetzt werden.

### 5.2 Elektrischer Anschluss

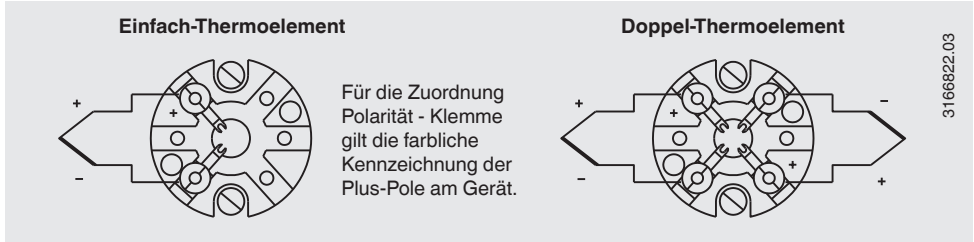
#### 5.2.1 Anschluss an Klemmsockel

##### Typ TR10-0



Belegung und Farbcodierung für Pt1000 wie für Pt100  
Pt1000 nur als Einfachelemente verfügbar

## Typ TC10-0



### 5.2.2 Anschluss an eingebauten Transmitter

Die elektrischen Daten (z. B. Anschlussschaltbilder, Grenzabweichungen etc.) der jeweiligen Betriebsanleitung bzw. dem jeweiligen Datenblatt des eingebauten Kopftransmitters entnehmen.

Verbindung zwischen Kabel und der geeigneten Rohr-/Dichtungsarmatur:

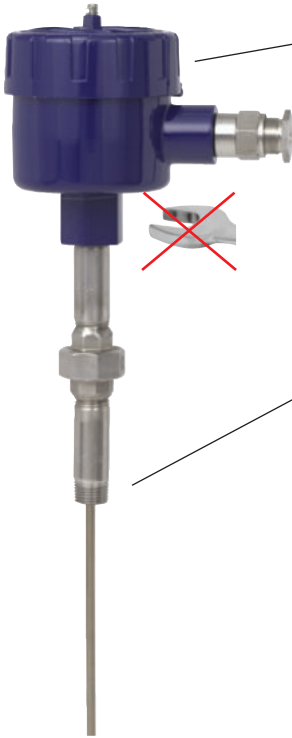
Überwurfschraube **fest** in das Zwischenstück einschrauben (geeignete Werkzeuge verwenden!)

#### Bei der Montage beachten

- Wegfließen des Kabelmantels bei fest angezogener Überwurfschraube vermeiden.
- Übermäßig tiefe Einschnedungen im Kabelmantel vermeiden.
- Geeignetes Kabel/Rohr verwenden.
- Auf den Klemmbereich der Rohr-/Dichtungsarmatur achten.

Zusatzinformationen finden Sie in den Normen NEC/CEC.

## 5.3 Anzugsdrehmomente



Anschlusskopf, wählbar (Beispiel)

Anzugsdrehmomente für Anschluss zum einteiligen Schutzrohr

Gewinde	Anzugsdrehmomente
1/2 NPT	T.F.F.T. 2 - 3 <sup>1)</sup>
3/4 NPT	T.F.F.T. 2 - 3 <sup>1)</sup>
G 1/2 B	35 Nm
G 3/4 B	40 Nm
M14 x 1,5	25 ... 30 Nm
M18 x 1,5	35 Nm
M20 x 1,5	35 ... 40 Nm
M27 x 2	40 ... 45 Nm

<sup>1)</sup> Umdrehungen nach handfestem Anziehen („turns from finger tight (T.F.F.T.)“)

- Das Gerät nur über die Schüsselflächen mit einem geeigneten Werkzeug und dem vorgeschriebenen Drehmoment ein- bzw. ausschrauben.
- Das richtige Drehmoment ist abhängig von der Dimension des Anschlussgewindes sowie der verwendeten Dichtung (Form/Werkstoff).
- Das Ein- bzw. Ausschrauben des Anschlusskopfes ist nicht zulässig.
- Beim Einschrauben beachten, dass die Gewindegänge nicht verkantet werden.

## 5.4 Sicherungsschraube



Sicherungsschraube stets festziehen, um unbeabsichtigtes Öffnen des druckfest gekapselten Kopfes zu verhindern.

Vor dem Öffnen des Kopfes die Sicherungsschraube unbedingt weit genug lösen.



### 6. Hinweise zu Montage und Betrieb im explosionsgefährdeten Bereich



#### **WARNUNG!**

Die Nichtbeachtung dieser Inhalte und Anweisungen kann zum Verlust des Explosionsschutzes führen.



Die Anforderungen gemäß CSA und FM müssen beachtet werden. Zusätzlich gelten die Angaben der jeweiligen Landesvorschriften bezüglich des Einsatzes (z. B. CEC und NEC).

- Die Verantwortung über die Zoneneinteilung unterliegt dem Anlagenbetreiber und nicht dem Hersteller/Lieferanten der Betriebsmittel.
- Der Betreiber der Anlage stellt in eigener Verantwortung sicher, dass vollständige und im Einsatz befindliche Thermometer bezüglich aller sicherheitsrelevanten Merkmale identifizierbar sind. Beschädigte Thermometer dürfen nicht verwendet werden.
- Bei der Installation des Thermometers, sind nur Bauteile (z. B. Leitungen, Kabelverschraubungen etc.) zulässig, die für druckfeste Kapselung geeignet sind.
- Für die Erdung leitender Schirme die Bedingungen gemäß CEC oder NEC beachten.
- Beim Einsatz eines Transmitters/Digitalanzeige beachten:
  - Der Inhalt dieser und der zum Transmitter/Digitalanzeige gehörenden Betriebsanleitung
  - Die einschlägigen Bestimmungen für Errichtung und Betrieb elektrischer Anlagen
  - Die Verordnung und Richtlinien für den Explosionsschutz
- Die druckfesten Thermometer dürfen nur an bescheinigte Gehäuse- oder Anschlussköpfe der Zündschutzart druckfeste Kapselung angebaut werden.
- Die für die Montage zulässigen zünddurchschlagsicheren Spalte für elektrische Betriebsmittel für gasexplosionsgefährdete Bereiche sind in der CSA C22.2 Nr. 30, CSA 60079-1 und FM 3615 enthalten.
- Die direkte Schraubverbindung des Thermometers zum Anschlusskopf oder Gehäuse darf nicht verdreht oder geöffnet werden. Eine Ausrichtung des Gehäuses kann nur über das optional teilbare Halsrohr erfolgen.
- Die Temperaturbeständigkeit der Anschlussleitung muss dem zulässigen Betriebstemperaturbereich des Gehäuses entsprechen. Bei Umgebungstemperaturen über 60 °C [140 °F] sind wärmebeständige Anschlussleitungen zu verwenden.
- Es dürfen keine Batterien in die druckfeste Kapselung eingebaut werden.
- Es darf kein Kondensator in die druckfeste Kapselung eingebaut werden. Während des Betriebes darf das Gehäuse nicht geöffnet werden. Nach dem Abschalten der Hilfsenergie muss eine Wartezeit von 2 Minuten vor dem Öffnen des Gehäuses eingehalten werden.

- Montage in metallische Behälter:  
Das Gehäuse muss gegen elektromagnetische Felder und elektrostatische Entladung geerdet werden. Es muss nicht gesondert an das Potentialausgleichsystem angeschlossen werden. Es ist ausreichend, wenn das metallische einteilige Schutzrohr festen und gesicherten Kontakt mit dem metallischen Behälter oder dessen Konstruktionsteilen oder Rohrleitungen hat, insofern diese Bauteile mit einem Potentialausgleichsystem verbunden sind.
- Reparaturen sowie bauliche Veränderungen sind nicht zulässig und führen zur Erlöschung der Garantie und der jeweiligen Zulassung.
- Bauliche Veränderungen nach Auslieferung der Geräte obliegen nicht in der Verantwortung des Herstellers.

## 7. Sicherheitstechnische Hinweise

### 7.1 Kennzeichnung

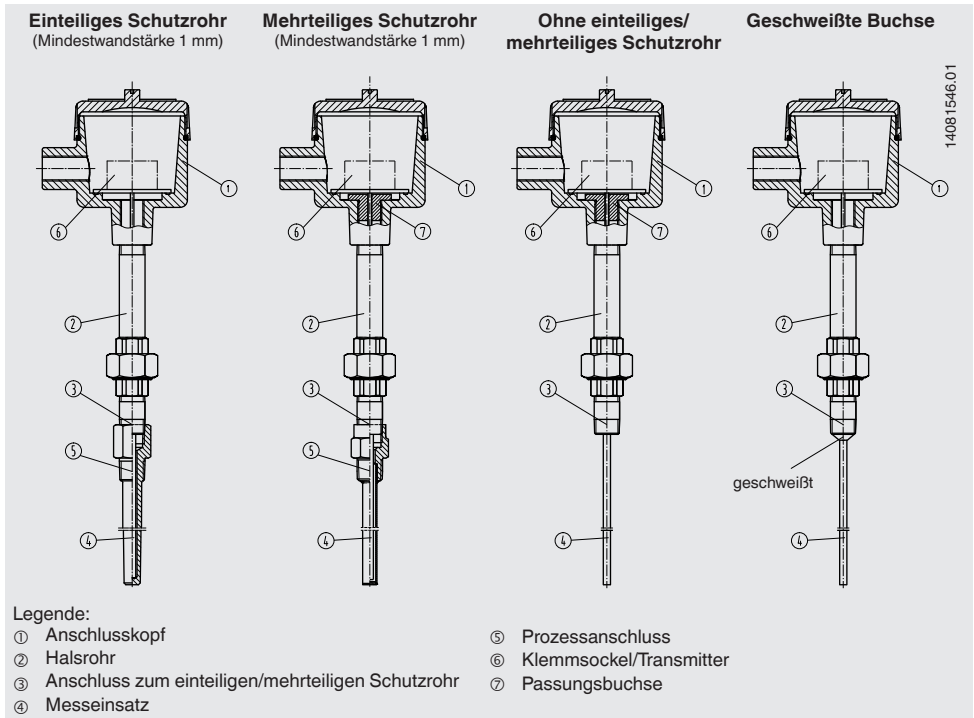
Ausführung	CSA		FM
	Klasse/Division	Zone	Klasse/Division
<b>Ohne Passungsbuchse</b> mit einteiligem Schutzrohr (Mindestwandstärke 1 mm)	Klasse I, Division 1, Gruppen B, C, D Klasse II, Gruppen E, F, G Klasse III Gehäusotyp 4 oder 4X	Zonen CAN FP: Ex d IIC Gb T6/T5/T4	Klasse I, Division 1, Gruppen B, C, D Klasse II, Gruppen E, F, G Klasse III Gehäusotyp 4 oder 4X
		Zonen USA FP: Klasse I, Zone 1, AEx d IIC Gb T6/T5/T4	
<b>Mit Passungsbuchse</b> mit mehrteiligem Schutzrohr (Mindestwandstärke 1 mm)	Klasse I, Division 1, Gruppen B, C, D Klasse II, Gruppen E, F, G Klasse III Gehäusotyp 4 oder 4X	Zonen CAN FP: Ex d IIB+H2 Gb T6/T5/T4	Klasse I, Division 1, Gruppen B, C, D Klasse II, Gruppen E, F, G Klasse III Gehäusotyp 4 oder 4X
		Zonen USA FP: Klasse I, Zone 1, AEx d IIB+H2 Gb T6/T5/T4	
<b>Mit Passungsbuchse</b> ohne einteiliges Schutzrohr	Klasse I, Division 1, Gruppen B, C, D Klasse II, Gruppen E, F, G Klasse III Gehäusotyp 4 oder 4X	Zonen CAN FP: Ex d IIB+H2 Gb T6/T5/T4	Klasse I, Division 1, Gruppen B, C, D Klasse II, Gruppen E, F, G Klasse III Gehäusotyp 4 oder 4X
		Zonen USA FP: Klasse I, Zone 1, AEx d IIB+H2 Gb T6/T5/T4	
<b>Geschweißte Buchse</b>	Klasse I, Division 1, Gruppen B, C, D Klasse II, Gruppen E, F, G Klasse III Gehäusotyp 4 oder 4X	Zonen CAN FP: Ex d IIC Gb T6/T5/T4	Klasse I, Division 1, Gruppen B, C, D Klasse II, Gruppen E, F, G Klasse III Gehäusotyp 4 oder 4X
		Zonen USA FP: Klasse I, Zone 1, AEx d IIC Gb T6/T5/T4	

### Elektrische Parameter

Maximal DC 30 V, 20 mA

## 7.2 Besondere Bedingungen für die sichere Anwendung

- Die Umgebungstemperaturgrenzen betragen:  
 CSA, T6: -50 ... +60 °C [-58 ... +140 °F]  
 CSA, T5: -50 ... +75 °C [-58 ... +167 °F]  
 CSA, T4: -50 ... +85 °C [-58 ... +185 °F]  
 FM-Klasse/Division, T6: -25 ... +40 °C [-13 ... +104 °F]
- Unbedingt darauf achten, dass der Aufbau infolge von externen Wärme- oder Kühlquellen nicht außerhalb des zulässigen Umgebungstemperaturbereiches betrieben wird.
- Alle Geräte mit Kabeleinführung müssen entsprechend zertifiziert und zur verwendeten Schutzart kompatibel sein.
- Werden für die Sensoranschlüsse Nippel, Verbindungen und/oder Kupplungen verwendet, so müssen diese entsprechend zertifiziert und mit der Kennzeichnung dieses Aufbaues übereinstimmen. Die Länge der Nippel darf maximal  $\leq 15,24$  cm [6 in] betragen.
- Bei Umgebungstemperaturen über 70 °C [158 °F] darauf achten, dass ein für den vorgesehenen Umgebungstemperaturbereich geeignetes Kabel gewählt wird.



### Temperaturklasseneinteilung, Umgebungstemperaturen

Eine Erwärmung im Anschlusskopf kann bei eingebautem Transmitter durch eine fehlerhafte Elektronik stattfinden. Die zulässigen Umgebungstemperaturen richten sich nach den eingesetzten Gehäusen und dem zusätzlich eingebauten Kopftransmitter.

### Für alle WIKA-Anschlussköpfe mit eingebauten WIKA-Temperaturtransmittern gilt folgender Zusammenhang:

Die Temperaturerhöhung auf der Oberfläche des Anschlusskopfes oder Gehäuses beträgt weniger als 25 K, wenn folgende Bedingungen eingehalten werden: Hilfsenergie  $U_B$  maximal DC 30 V, wenn der Transmitter in der Strombegrenzung von 22,5 mA betrieben wird.

Der Temperaturklasse ist abhängig von der Anwenderapplikation und der Umgebungstemperatur. Die zulässigen Umgebungstemperaturen der Fremdfabrikate müssen aus den jeweiligen Zulassungen und/oder Datenblättern entnommen werden. Ein unzulässiger Wärmerückfluss aus dem Prozess welcher die Betriebstemperatur des Transmitters oder Gehäuses überschreitet, ist durch geeignete Wärmeisolierung oder ein entsprechend langes Halsrohr zu verhindern.

## 8. Störungen



### GEFAHR!

#### Lebensgefahr durch Explosion

Durch Arbeiten in entzündlichen Atmosphären besteht Explosionsgefahr, die zum Tod führen kann.

- ▶ Störungen nur in nicht-entzündlichen Atmosphären beseitigen!



### VORSICHT!

#### Körperverletzungen, Sach- und Umweltschäden

Können Störungen mit Hilfe der aufgeführten Maßnahmen nicht beseitigt werden, Gerät unverzüglich außer Betrieb setzen.

- ▶ Sicherstellen, dass kein Signal mehr anliegt und gegen versehentliche Inbetriebnahme schützen.
- ▶ Hersteller kontaktieren.
- ▶ Bei notwendiger Rücksendung die Hinweise unter Kapitel 10.2 „Rücksendung“ beachten.



Kontaktaten siehe Kapitel 1 „Allgemeines“ oder Rückseite der Betriebsanleitung.

## 8. Störungen

Störungen	Ursachen	Maßnahmen
<b>Kein Signal/Kabelbruch</b>	Zu hohe mechanische Belastung oder Übertemperatur	Ersatz des Sensors oder Messeinsatzes durch eine geeignete Ausführung
<b>Fehlerhafte Messwerte</b>	Sensordrift durch Übertemperatur	Ersatz des Sensors oder Messeinsatzes durch eine geeignete Ausführung
	Sensordrift durch chemischen Angriff	Verwendung eines geeigneten einteiligen Schutzrohres
<b>Fehlerhafte Messwerte (zu gering)</b>	Feuchtigkeitseintritt an Kabel oder Messeinsatz	Ersatz des Sensors oder Messeinsatzes durch eine geeignete Ausführung
<b>Fehlerhafte Messwerte und zu lange Ansprechzeiten</b>	Falsche Einbaugeometrie, z. B. zu geringe Einbautiefe oder zu hohe Wärmeableitung	Temperaturrempfindlicher Bereich des Sensors muss innerhalb des Messstoffes liegen, Oberflächenmessungen müssen isoliert sein
	Ablagerungen auf dem Sensor oder einteiligen Schutzrohr	Ablagerungen entfernen
<b>Fehlerhafte Messwerte (bei Thermoelementen)</b>	Parasitäre Spannungen (Thermospannungen, galvanische Spannung) oder falsche Ausgleichsleitung	Polaritäten prüfen Verwendung einer geeigneten Ausgleichsleitung
<b>Anzeige der Messwert-sprünge</b>	Kabelbruch im Anschlusskabel oder Wackelkontakt durch mechanische Überlast	Ersatz des Sensors oder Messeinsatzes durch eine geeignete Ausführung z. B. mit Zugentlastung oder dickerem Leitungsquerschnitt
<b>Korrosion</b>	Zusammensetzung des Messstoffes nicht wie angenommen oder geändert oder falsches Schutzrohrmaterial gewählt	Messstoff analysieren und danach besser geeigneten Werkstoff wählen oder einteiliges Schutzrohr regelmäßig erneuern
<b>Signal gestört</b>	Ableitströme durch elektrische Felder oder Erdschleifen	Verwendung von geschirmten Anschlussleitungen, Erhöhung des Abstandes zu Motoren und leistungsführenden Leitungen
	Erdschleifen	Beseitigung von Potentialen, Verwendung von galvanisch trennenden Barrieren oder Transmittern

DE

### 9. Wartung, Reinigung und Rekalibrierung



Kontaktaten siehe Kapitel 1 „Allgemeines“ oder Rückseite der Betriebsanleitung.

DE

#### 9.1 Wartung

Die hier beschriebenen Thermometer sind wartungsfrei.  
Reparaturen sind ausschließlich vom Hersteller durchzuführen.

#### 9.2 Reinigung



##### **VORSICHT!**

##### **Körperverletzungen, Sach- und Umweltschäden**

Eine unsachgemäße Reinigung führt zu Körperverletzungen, Sach- und Umweltschäden. Messstoffreste im ausgebauten Gerät können zur Gefährdung von Personen, Umwelt und Einrichtung führen.

- ▶ Reinigungsvorgang wie folgt beschrieben durchführen.

1. Vor der Reinigung die elektrischen Anschlüsse ordnungsgemäß trennen.
2. Das Gerät mit einem feuchten Tuch reinigen.
3. Elektrische Anschlüsse nicht mit Feuchtigkeit in Berührung bringen.



##### **VORSICHT!**

##### **Beschädigung des Gerätes**

Eine unsachgemäße Reinigung führt zur Beschädigung des Gerätes!

- ▶ Keine aggressiven Reinigungsmittel verwenden.
- ▶ Keine harten und spitzen Gegenstände zur Reinigung verwenden.

4. Ausgebautes Gerät spülen bzw. säubern, um Personen und Umwelt vor Gefährdung durch anhaftende Messstoffreste zu schützen.  
Messstoffreste im ausgebauten Gerät können zur Gefährdung von Personen, Umwelt und Einrichtung führen. Ausreichende Vorsichtsmaßnahmen ergreifen.

#### 9.3 Kalibrierung, Rekalibrierung

Es wird empfohlen, den Messeinsatz in regelmäßigen Zeitabständen zu rekalibrieren (Widerstandsthermometer: ca. 24 Monate, Thermoelemente: ca. 12 Monate). Dieser Zeitraum verringert sich abhängig vom Einsatzfall. Die Kalibrierung kann durch den Hersteller sowie mit Kalibriergeräten vor Ort durch qualifiziertes Fachpersonal erfolgen.

Zur Kalibrierung wird der Messeinsatz aus dem Thermometer entnommen. Die Mindestlänge (metallischer Teil des Fühlers) zur Durchführung einer Messgenauigkeitsprüfung 3.1 oder DAkkS beträgt 100 mm [3,94 in].

Kalibrierung von kürzeren Längen auf Anfrage.

## 10. Demontage, Rücksendung und Entsorgung

### 10.1 Demontage



#### **WARNUNG!**

#### **Körperverletzungen, Sach- und Umweltschäden durch Messstoffreste**

Bei Kontakt mit gefährlichen Messstoffen (z. B. Sauerstoff, Acetylen, brennbaren oder giftigen Stoffen), gesundheitsgefährdenden Messstoffen (z. B. ätzend, giftig, krebserregend, radioaktiv) sowie bei Kälteanlagen, Kompressoren besteht die Gefahr von Körperverletzungen, Sach- und Umweltschäden.

- ▶ Vor der Einlagerung das ausgebaute Gerät (nach Betrieb) spülen bzw. säubern, um Personen und Umwelt vor Gefährdung durch anhaftende Messstoffreste zu schützen.
- ▶ Notwendige Schutzausrüstung verwenden (abhängig von der jeweiligen Anwendung; Das Thermometer selbst ist prinzipiell ungefährlich.).
- ▶ Angaben im Sicherheitsdatenblatt für den entsprechenden Messstoff beachten.

Thermometer nur im drucklosen Zustand demontieren.



#### **WARNUNG!**

#### **Verbrennungsgefahr**

Beim Ausbau besteht Gefahr durch austretende, gefährlich heiße Messstoffe.

- ▶ Vor dem Ausbau das Gerät ausreichend abkühlen lassen!

### 10.2 Rücksendung

#### **Beim Versand des Gerätes unbedingt beachten:**

Alle an WIKA gelieferten Geräte müssen frei von Gefahrstoffen (Säuren, Laugen, Lösungen, etc.) sein und sind daher vor der Rücksendung zu reinigen.

Zur Rücksendung des Gerätes die Originalverpackung oder eine geeignete Transportverpackung verwenden.

#### **Um Schäden zu vermeiden:**

1. Das Gerät mit dem Dämmmaterial in der Verpackung platzieren.  
Zu allen Seiten der Transportverpackung gleichmäßig dämmen.
2. Wenn möglich einen Beutel mit Trocknungsmittel der Verpackung beifügen.
3. Sendung als Transport eines hochempfindlichen Messgerätes kennzeichnen.



Hinweise zur Rücksendung befinden sich in der Rubrik „Service“ auf unserer lokalen Internetseite.

## 10.3 Entsorgung

Durch falsche Entsorgung können Gefahren für die Umwelt entstehen. Gerätekomponenten und Verpackungsmaterialien entsprechend den landesspezifischen Abfallbehandlungs- und Entsorgungsvorschriften umweltgerecht entsorgen.

DE



Nicht mit dem Hausmüll entsorgen. Für eine geordnete Entsorgung gemäß nationaler Vorgaben sorgen.

## 11. Technische Daten

### Messeinsatz

<b>Ausführungen</b>	Schwingsbeständige Mantelmessleitung (MI-Leitung)	
<b>Optimaler Wärmeübergang</b>	Anforderung	<ul style="list-style-type: none"> <li>■ Korrekte Messeinsatzlänge</li> <li>■ Korrekter Messeinsatzdurchmesser</li> </ul>
	Bohrungsdurchmesser des einteiligen Schutzrohres	Max. 1 mm [0,04 in] größer als der Messeinsatzdurchmesser
	Fugenbreite	Für Fugenbreite > 0,5 mm [> 0,02 in] zwischen einteiligem Schutzrohr und Messeinsatz: → Negative Auswirkung auf den Wärmeübergang → Ungünstige Ansprechempfindlichkeit des Thermometers
<b>Einbaulänge</b>	Wichtig beim Einbau in ein einteiliges Schutzrohr ist die Ermittlung der korrekten Einbaulänge (= Schutzrohrlänge bei Bodenstärken ≤ 5,5 mm [≤ 0,22 in]). Zu beachten ist dabei, dass der Messeinsatz gefedert ist (Federweg: 0 ... 10 mm [0 ... 0,39 in]) um eine Anpressung auf den Schutzrohrboden zu gewährleisten.	
<b>Federweg</b>		
Gefederte Platte	max. 10 mm [0,39 in]	
Selbstklemmende Feder	max. 20 mm [0,79 in]	

### Einsatzbedingungen

<b>Umgebungs- und Lagertemperatur</b>	-40 ... +80 °C [-40 ... +176 °F]
<b>Schwingsbeständigkeit</b>	Die Angaben zur Schwingsbeständigkeit beziehen sich auf die Spitze des Messeinsatzes. → Detaillierte Angaben zur Schwingsbeständigkeit von Pt100-Sensoren siehe Technische Information IN 00.17 unter <a href="http://www.wika.de">www.wika.de</a> .
Standard	6 g Spitze-Spitze, Messwiderstand drahtgewickelt oder Dünnsfilm
Option	<ul style="list-style-type: none"> <li>■ Schwingsbeständige Fühlerspitze max. 20 g Spitze-Spitze, Dünnsfilm-Messwiderstand</li> <li>■ Hochschwingsbeständige Fühlerspitze max. 50 g Spitze-Spitze, Dünnsfilm-Messwiderstand</li> </ul>



# 11. Technische Daten

## IP-Schutzart nach IEC/EN 60529

Erste Kennziffer	Schutzgrad / Kurzbeschreibung	Prüfparameter
<b>Schutzgrade gegen feste Fremdkörper (bezeichnet durch die 1. Kennziffer)</b>		
5	Staubgeschützt	Nach IEC/EN 60529
6	Staubdicht	Nach IEC/EN 60529
<b>Schutzgrade gegen Wasser (bezeichnet durch die 2. Kennziffer)</b>		
4	Geschützt gegen Spritzwasser	Nach IEC/EN 60529
5	Geschützt gegen Strahlwasser	Nach IEC/EN 60529
6	Geschützt gegen starkes Strahlwasser	Nach IEC/EN 60529
7 <sup>1)</sup>	Geschützt gegen die Wirkungen beim zeitweiligen Untertauchen in Wasser	Nach IEC/EN 60529
8 <sup>1)</sup>	Geschützt gegen die Wirkungen beim dauernden Untertauchen in Wasser	Nach Vereinbarung

1) Schutzarten, die zeitweiliges oder dauerndes Untertauchen beschreiben, auf Anfrage

Standard-Schutzart des Typs Tx10-0 ist IP65.

Die angegebenen Schutzgrade gelten unter folgenden Voraussetzungen:

- Verwendung eines geeigneten einteiligen Schutzrohres (ohne geeignetes einteiliges Schutzrohr: IP40)
- Verwendung einer geeigneten Kabelverschraubung
- Zur Verschraubung passende Kabelquerschnitte verwenden bzw. zum vorhandenen Kabel die geeignete Kabelverschraubung auswählen
- Anzugsdrehmomente für alle Verschraubungen beachten

### 11.1 Typ TR10-0

Messelement		
<b>Art des Messelementes</b>	Pt100, Pt1000 <sup>1)</sup>	
<b>Messstrom</b>	0,1 ... 1,0 mA	
<b>Gültigkeitsgrenzen der Klassengenauigkeit nach EN 60751</b>		
Klasse B	Drahtgewickelt	-196 ... +600 °C [-321 ... +1.112 °F]
	Dünnsfilm	-50 ... +500 °C [-58 ... +932 °F]
Klasse A <sup>2)</sup>	Drahtgewickelt	-100 ... +450 °C [-148 ... +842 °F]
	Dünnsfilm	-30 ... +300 °C [-22 ... +572 °F]
Klasse AA <sup>2)</sup>	Drahtgewickelt	-50 ... +250 °C [-58 ... +482 °F]
	Dünnsfilm	0 ... 150 °C [-32 ... +302 °F]

1) Pt1000 nur als Dünnsfilm-Messwiderstand erhältlich

2) Nicht bei 2-Leiter-Schaltung

Weitere technische Daten siehe WIKA-Datenblatt TE 61.01 und Bestellunterlagen.

# 11. Technische Daten

## 11.2 Typ TC10-0

### Messelement

**Art des Messelementes** Thermoelement nach IEC 60584-1 bzw. ASTM E230 Typen K, J, E, N, T

- Messstrom**
- Isoliert verschweißt (Standard)
  - Mit dem Boden verschweißt (grounded)

### Gültigkeitsgrenzen der Klassengenauigkeit nach EN 60584-1

Typ K	Klasse 2	-40 ... +1.200 °C [-40 ... +2.192 °F]
	Klasse 1	-40 ... +1.000 °C [-40 ... +1.832 °F]
Typ J	Klasse 2	-40 ... +750 °C [-40 ... +1.382 °F]
	Klasse 1	-40 ... +750 °C [-40 ... +1.382 °F]
Typ E	Klasse 2	-40 ... +900 °C [-40 ... +1.652 °F]
	Klasse 1	-40 ... +800 °C [-40 ... +1.472 °F]
Typ N	Klasse 2	-40 ... +1.200 °C [-40 ... +2.192 °F]
	Klasse 1	-40 ... +1.000 °C [-40 ... +1.832 °F]
Typ T	Klasse 2	-40 ... +350 °C [-40 ... +662 °F]
	Klasse 1	-40 ... +350 °C [-40 ... +662 °F]

### Gültigkeitsgrenzen der Klassengenauigkeit nach ASTM E230

Typ K	Standard	0 ... 1.260 °C [32 ... 2.300 °F]
	Spezial	0 ... 1.260 °C [32 ... 2.300 °F]
Typ J	Standard	0 ... 760 °C [32 ... 1.400 °F]
	Spezial	0 ... 760 °C [32 ... 1.400 °F]
Typ E	Standard	0 ... 870 °C [32 ... 1.598 °F]
	Spezial	0 ... 870 °C [32 ... 1.598 °F]
Typ N	Standard	0 ... 1.260 °C [32 ... 2.300 °F]
	Spezial	0 ... 1.260 °C [32 ... 2.300 °F]
Typ T	Standard	0 ... 370 °C [32 ... 698 °F]
	Spezial	0 ... 370 °C [32 ... 698 °F]

Weitere technische Daten siehe WIKA-Datenblatt TE 66.01 und Bestellunterlagen.

# Sommaire

<b>1. Généralités</b>	<b>44</b>
<b>2. Conception et fonction</b>	<b>44</b>
<b>3. Sécurité</b>	<b>46</b>
<b>4. Transport, emballage et stockage</b>	<b>49</b>
<b>5. Mise en service, utilisation</b>	<b>50</b>
<b>6. Informations concernant le montage et l'utilisation dans des zones explosives</b>	<b>53</b>
<b>7. Consignes de sécurité</b>	<b>54</b>
<b>8. Dysfonctionnements</b>	<b>56</b>
<b>9. Entretien, nettoyage et réétalonnage</b>	<b>58</b>
<b>10. Démontage, retour et mise au rebut</b>	<b>59</b>
<b>11. Spécifications</b>	<b>60</b>

## 1. Généralités

- L'instrument décrit dans le mode d'emploi est fabriqué selon les dernières technologies en vigueur. Tous les composants sont soumis à des critères de qualité et d'environnement stricts durant la fabrication. Nos systèmes de gestion sont certifiés selon ISO 9001 et ISO 14001.
- Ce mode d'emploi donne des indications importantes concernant l'utilisation de l'instrument. Il est possible de travailler en toute sécurité avec ce produit en respectant toutes les consignes de sécurité et d'utilisation.
- Respecter les prescriptions locales de prévention contre les accidents et les prescriptions générales de sécurité en vigueur pour le domaine d'application de l'instrument.
- Le mode d'emploi fait partie de l'instrument et doit être conservé à proximité immédiate de l'instrument et accessible à tout moment pour le personnel qualifié.
- Le personnel qualifié doit, avant de commencer toute opération, avoir lu soigneusement et compris le mode d'emploi.
- La responsabilité du fabricant n'est pas engagée en cas de dommages provoqués par une utilisation non conforme à l'usage prévu, de non respect de ce mode d'emploi, d'utilisation de personnel peu qualifié de même qu'en cas de modifications de l'instrument effectuées par l'utilisateur.
- Les conditions générales de vente mentionnées dans les documents de vente s'appliquent.
- Sous réserve de modifications techniques.
- Pour obtenir d'autres informations :

## 2. Conception et fonction

### 2.1 Description

Les thermomètres électriques type TR10-0 (sonde à résistance) ou type TC10-0 (thermocouple) sont composés d'un insert de mesure monté dans un boîtier certifié. En combinaison avec une garniture anti-passage de flamme qui est vissée dans la tête, l'insert de mesure fonctionne comme un joint antidéflagrant. L'insert de mesure (TR10-1, TC10-1) est remplaçable.

### Conception du capteur sur le type TR10-0

La résistance de mesure est incorporée dans une poudre de céramique, une masse de scellement résistante à la chaleur ou une pâte thermoconductrice. Un capuchon soudé forme la coque externe de l'extrémité de capteur de l'insert de mesure.

### Conception du capteur sur le type TC10-0

L'insert de mesure du thermocouple est fabriqué à partir d'un câble à isolation minérale. Le thermocouple est constitué des fils internes du câble à isolation minérale. Le point de soudure du thermocouple est, en fonction de la version, soit isolé et soudé avec les fils internes du câble chemisé soit non isolé et soudé.

Si le capteur de température est conçu comme un thermocouple mis à la terre, le thermocouple est directement connecté à la tige. Les exécutions équipées d'un diamètre inférieur à 3 mm et de thermocouples mis à la terre doivent être considérées comme galvaniquement connectées avec le potentiel terrestre.

### Versions disponibles :

- Passage de flamme sans doigt de gant
- Passage de flamme avec doigt de gant
- Les thermomètres sans raccord anti-passage de flamme peuvent être exécutés comme douille soudée sans doigt de gant

Les thermomètres sans raccord anti-passage de flamme peuvent être utilisés seulement en combinaison avec un doigt de gant WIKA massif certifié avec une épaisseur minimale de paroi de 1 mm.

Après avoir installé une garniture anti-passage de flamme dans la tête de raccordement du thermomètre, il n'est plus obligatoire d'avoir un doigt de gant pour des raisons de certification. Dans la plupart des cas, pourtant, l'utilisation d'un doigt de gant/tube de protection (avec une épaisseur de paroi de 1 mm) est nécessaire pour des raisons d'ingénierie du process.

Les exécutions des doigts de gant peuvent être choisies à volonté, mais il faut prendre en considération les données du processus opérationnel (température, pression, densité et débit). Si un doigt de gant massif WIKA est déjà disponible ou installé, un raccord anti-passage de flamme n'est pas nécessaire.

Les thermomètres types TR10-0 ou TC10-0 sont fabriqués par WIKA avec des têtes de raccordement ou des boîtiers de connexion certifiés. Ces boîtiers et couvercles sont fabriqués en acier inox ou en aluminium. Le couvercle est disponible en option avec un voyant en verre.

Etendues de mesure du capteur possibles, voir chapitre 11 "Spécifications"

Les informations d'installation et de fonctionnement suivantes ont été établies avec soin.

Il n'est cependant pas possible de prendre en considération toutes les situations d'utilisation potentielles.

### 2.2 Détail de la livraison

Comparer le détail de la livraison avec le bordereau de livraison.

### 3. Sécurité

#### 3.1 Explication des symboles



##### **AVERTISSEMENT !**

... indique une situation présentant des risques susceptibles de provoquer la mort ou des blessures graves si elle n'est pas évitée.



##### **ATTENTION !**

... indique une situation potentiellement dangereuse et susceptible de provoquer de légères blessures ou des dommages matériels et pour l'environnement si elle n'est pas évitée.



##### **AVERTISSEMENT !**

... indique une situation en zone explosive présentant des risques susceptibles de provoquer la mort ou des blessures graves si elle n'est pas évitée.



##### **AVERTISSEMENT !**

... indique une situation présentant des risques susceptibles de provoquer des brûlures dues à des surfaces ou liquides chauds si elle n'est pas évitée.



##### **Information**

... met en exergue des conseils et recommandations utiles de même que des informations permettant d'assurer un fonctionnement efficace et normal.

#### 3.2 Utilisation conforme à l'usage prévu

Les sondes à résistance et les thermocouples sont utilisés à des fins de mesure de la température dans le cadre d'applications industrielles, en zone explosive.

L'instrument est conçu et construit exclusivement pour une utilisation conforme à l'usage prévu décrit ici et ne doit être utilisé qu'en conséquence.

Les spécifications techniques mentionnées dans ce mode d'emploi doivent être respectées. En cas d'utilisation non conforme ou de fonctionnement de l'instrument en dehors des spécifications techniques, un arrêt et contrôle doivent être immédiatement effectués par un collaborateur autorisé du service de WIKA.

Aucune réclamation ne peut être recevable en cas d'utilisation non conforme à l'usage prévu.

### 3.3 Responsabilité de l'opérateur

L'opérateur du système est responsable du choix du thermomètre ou du doigt de gant, et aussi du choix de leurs matériaux pour garantir leur fonctionnement en toute sécurité sur l'installation ou la machine. En soumettant une offre, WIKA peut seulement donner des recommandations fondées sur notre expérience dans des applications similaires.

Les instructions de sécurité de ce mode d'emploi comme les réglementations liées à la sécurité, à la prévention de accidents et à la protection de l'environnement pour la zone d'application doivent être respectées.

L'opérateur doit s'assurer que l'étiquette du produit reste lisible.

### 3.4 Qualification du personnel



#### **AVERTISSEMENT !**

#### **Danger de blessure en cas de qualification insuffisante**

Une utilisation non conforme peut entraîner d'importants dommages corporels et matériels.

- ▶ Les opérations décrites dans ce mode d'emploi ne doivent être effectuées que par un personnel électricien ayant la qualification décrite ci-après.

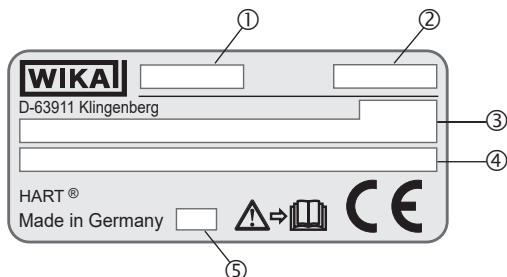
#### **Personnel qualifié**

Le personnel qualifié est, en raison de sa formation spécialisée, de ses connaissances dans le domaine de la technique de mesure et de régulation et de ses expériences de même que de sa connaissance des prescriptions nationales, des normes et directives en vigueur, en mesure d'effectuer les travaux décrits et de reconnaître de façon autonome les dangers potentiels.

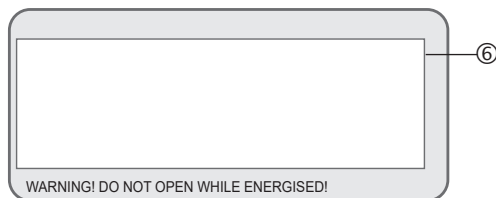
Les conditions d'utilisation spéciales exigent également une connaissance adéquate, par ex. des liquides agressifs.

## 3.5 Etiquetage, marquages de sécurité

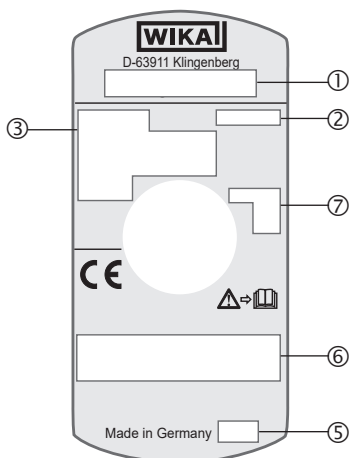
### Plaque signalétique (exemple)



#### ■ Informations complémentaires pour instruments Ex



#### ■ Plaque signalétique pour Tx10-1 (remplacement d'insert de mesure)



- ① Type
- ② Numéro de série
- ③ Informations concernant la version (élément de mesure, étendue de mesure ...)

Capteur conforme à la norme (thermocouple)

- Point de mesure isolé
- Point de mesure non isolé

- ④ Type de transmetteur (uniquement pour version avec transmetteur)

- ⑤ Année de fabrication

- ⑥ Données d'agrément liées

- ⑦ Symbole de capteur

- Point de mesure isolé = soudure isolée

- Point de mesure non isolé = soudé à la tige (non isolé)

- Quasi non isolé = Le thermomètre doit, en raison de ses faibles distances d'isolement entre le capteur de résistance et la gaine, être considéré comme mis à la terre.





Lire impérativement le mode d'emploi avant le montage et la mise en service de l'instrument !

## 4. Transport, emballage et stockage

### 4.1 Transport

Vérifier s'il existe des dégâts sur l'instrument liés au transport.  
Communiquer immédiatement les dégâts constatés.



#### **ATTENTION !**

#### **Dommages liés à un transport inapproprié**

Un transport inapproprié peut donner lieu à des dommages importants.

- ▶ Lors du déchargement des colis à la livraison comme lors du transport des colis en interne après réception, il faut procéder avec soin et observer les consignes liées aux symboles figurant sur les emballages.
- ▶ Lors du transport en interne, observer les instructions du chapitre 4.2 "Emballage et stockage".

Si l'instrument est transporté d'un environnement froid dans un environnement chaud, la formation de condensation peut provoquer un dysfonctionnement fonctionnel de l'instrument. Il est nécessaire d'attendre que la température de l'instrument se soit adaptée à la température ambiante avant une nouvelle mise en service.

### 4.2 Emballage et stockage

N'enlever l'emballage qu'avant le montage. Conserver l'emballage, celui-ci offre, lors d'un transport, une protection optimale (par ex. changement de lieu d'utilisation, renvoi pour réparation).

#### **Conditions admissibles sur le lieu de stockage :**

- Température de stockage : -40 ... +80 °C [-40 ... +176 °F]
- Humidité : 35 ... 85 % d'humidité relative (sans condensation)

#### **Eviter les influences suivantes :**

- Lumière solaire directe ou proximité d'objets chauds
- Vibrations mécaniques, chocs mécaniques (mouvements brusques en le posant)
- Suie, vapeur, poussière et gaz corrosifs
- Environnements dangereux, atmosphères inflammables

Conserver l'instrument dans l'emballage original dans un endroit qui satisfait aux conditions susmentionnées. Si l'emballage original n'est pas disponible, emballer et stocker l'instrument comme suit :

1. Placer l'instrument avec le matériau isolant dans l'emballage.
2. En cas d'entreposage long (plus de 30 jours), mettre également un sachet absorbant d'humidité dans l'emballage.

## 5. Mise en service, utilisation

### 5. Mise en service, utilisation

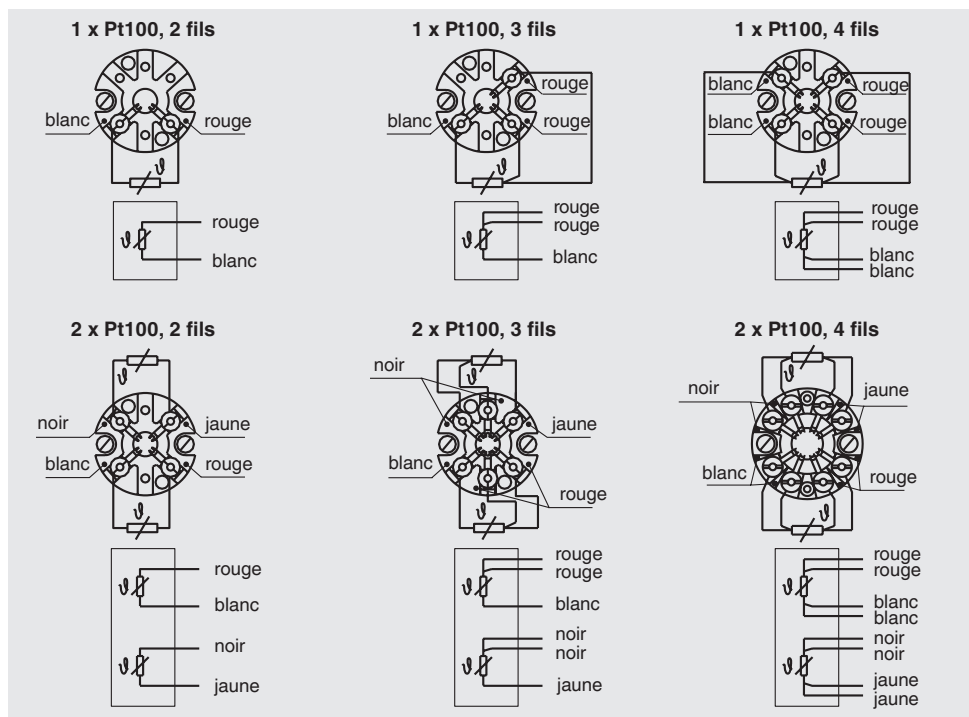
#### 5.1 Enlèvement et installation de l'élément de mesure

Lorsqu'une opération de maintenance ou nouvel étalonnage est nécessaire, il faut s'assurer que les deux surfaces sur le joint antidéflagrant (garniture anti-passage de flamme et insert de mesure) ne soient pas endommagées lorsqu'on installe l'insert de mesure. Si elles sont endommagées ou rayées, les pièces du joint antidéflagrant doivent être remplacées.

#### 5.2 Raccordement électrique

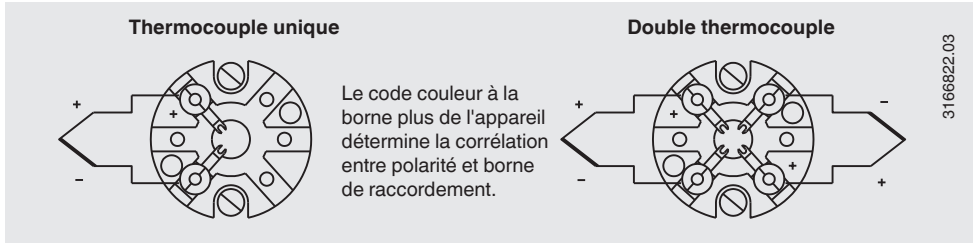
##### 5.2.1 Connexion sur la platine de raccordement

###### Type TR10-0



Configuration et code couleur pour Pt1000 et Pt100  
Pt1000 n'est disponible que comme élément simple

### Type TC10-0



#### 5.2.2 Branchement sur le transmetteur intégré

Pour les spécifications électriques (par exemple diagramme du circuit de raccordement, valeurs de tolérance, etc.), veuillez vous référer au mode d'emploi en question et/ou aux fiches techniques pour le transmetteur intégré monté en tête.

Jonction entre câble et conduit/raccord d'étanchéité approprié :

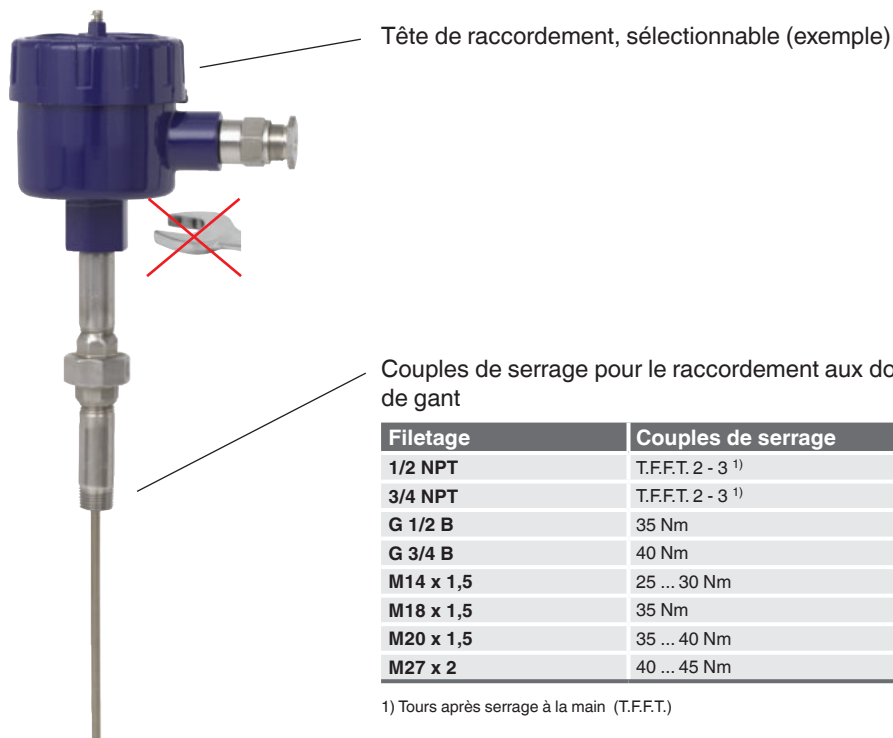
Visser le raccord tournant **à fond** dans l'adaptateur (utiliser des outils appropriés !)

#### Durant l'installation, prenez garde à

- Eviter de tordre la gaine du câble lorsque vous serrez le raccord tournant.
- Eviter de couper trop profondément dans la gaine du câble.
- Utiliser le câble/conduit adéquat.
- Soyez prudent avec la zone de blocage du conduit/raccord d'étanchéité.

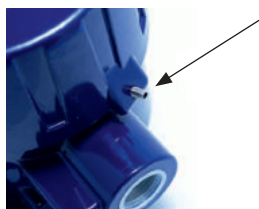
Voir NEC/CEC pour des informations complémentaires.

### 5.3 Couples de serrage



- Ne vissez ou ne dévissez l'instrument qu'avec les pans de la clé et avec le couple prescrit en utilisant un outil approprié.
- Le couple correct dépend des dimensions du filetage de raccord et du joint utilisé (forme/matériau).
- Il n'est pas permis de visser ou de dévisser la tête de raccordement.
- Evitez tout coincement du pas de filet lorsque vous vissez l'instrument.

### 5.4 Vis de blocage



Il faut toujours serrer la vis de blocage pour empêcher toute ouverture non-intentionnelle de la tête avec boîtier antidéflagrant.

Avant d'ouvrir la tête, il faut toujours desserrer suffisamment la vis de blocage.

### 6. Informations concernant le montage et l'utilisation dans des zones explosives



#### AVERTISSEMENT !

Le non respect de ces instructions et de leurs contenus peut entraîner une perte de la protection contre les explosions.



Les exigences de CSA et FM doivent être respectées. Par ailleurs, les spécifications des prescriptions nationales respectives concernant l'usage (par exemple CEC et NEC) s'appliquent.

- La classification des zones est une responsabilité qui incombe à l'exploitant du site et non au fabricant/fournisseur de l'équipement.
- Sous sa propre responsabilité, l'exploitant du site s'assure que les sondes utilisées sont identifiables sur la base des caractéristiques relatives à la sécurité. Des thermomètres défectueux ne doivent pas être utilisés.
- Pour l'installation du thermomètre, seuls les composants (par exemple les câbles, presse-étoupes, etc.) autorisés comme étant "antidéflagrants" peuvent être utilisés.
- Pour la mise à la terre de l'écran conducteur, suivre les spécifications de CEC ou NEC.
- Lorsque vous utilisez un transmetteur/affichage numérique, notez et observez :
  - Le contenu de cette notice d'utilisation ainsi que celle du transmetteur/affichage numérique
  - Les prescriptions se rapportant à l'installation et à l'utilisation de circuits électriques
  - Les prescriptions et les directives pour la protection anti-explosion
- Les thermomètres certifiés antidéflagrants doivent uniquement être installés sur des têtes de boîtier ou de raccordement certifiées par un type de protection contre l'ignition "antidéflagrant".
- Pour l'installation, les joints antidéflagrants pour l'équipement électrique dans des zones explosives gaz sont mentionnés dans CSA C22.2 No. 30, CSA 60079-1 et FM 3615.
- Le raccordement fileté direct du thermomètre vers la tête de raccordement ou le boîtier ne doit pas être déformé ou ouvert. Tout alignement du boîtier peut être effectué en utilisant seulement l'extension divisible en option.
- La résistance à la température du câble de raccordement doit correspondre à la température de fonctionnement admissible du boîtier. Pour des températures ambiantes supérieures à 60 °C [140 °F], il faut utiliser des câbles de raccordement résistants à la chaleur.
- On ne pourra incorporer des piles dans le boîtier antidéflagrant.
- On ne pourra placer un condensateur dans le boîtier antidéflagrant. Il ne faut pas ouvrir le boîtier pendant le fonctionnement. Après que l'alimentation électrique a été éteinte, un temps d'attente de 2 minutes doit être respecté avant l'ouverture du boîtier.
- Montage dans des boîtiers métalliques :

Le boîtier doit être relié à la terre pour protéger l'instrument contre les champs électromagnétiques et les charges électrostatiques. Il n'a pas besoin d'être connecté séparément au système de liaison équipotentielle. Cela suffit si le doigt de gant métallique a un contact solide et sécurisé avec la cuve métallique ou ses composants structurels ou ses conduites, aussi longtemps que ces composants sont raccordés au système de liaison équipotentielle.

## 6. Informations sur l'installation ... / 7. Consignes de sécurité

- D'éventuelles réparations ou des modifications structurelles ne sont pas autorisées et entraînent l'extinction de la garantie et de l'agrément respective.
- Le fabricant n'est pas tenu pour responsable en cas de modifications de construction après la livraison des appareils.

## 7. Consignes de sécurité

### 7.1 Marquage

Exécution	CSA		FM
	Classe/Division	Zone	Classe/Division
<b>Sans passage de flamme</b> avec doigt de gant (épaisseur minimale de la paroi 1 mm)	Classe I, division 1, groupes B, C et D Classe II, groupes E, F, G Classe III Boîtier type 4 ou 4X	CAN zones FP : Ex d IIC Gb T6/T5/T4	Classe I, division 1, groupes B, C et D Classe II, groupes E, F, G Classe III Boîtier type 4 ou 4X
		USA zones FP : classe I, zone 1, AEx d IIC Gb T6/T5/T4	
<b>Avec passage de flamme</b> avec tube de protection (épaisseur minimale de la paroi 1 mm)	Classe I, division 1, groupes B, C et D Classe II, groupes E, F, G Classe III Boîtier type 4 ou 4X	CAN zones FP : Ex d IIB+H2 Gb T6/T5/T4	Classe I, division 1, groupes B, C et D Classe II, groupes E, F, G Classe III Boîtier type 4 ou 4X
		USA zones FP : classe I, zone 1, AEx d IIB+H2 Gb T6/T5/T4	
<b>Avec passage de flamme</b> sans doigt de gant	Classe I, division 1, groupes B, C et D Classe II, groupes E, F, G Classe III Boîtier type 4 ou 4X	CAN zones FP : Ex d IIB+H2 Gb T6/T5/T4	Classe I, division 1, groupes B, C et D Classe II, groupes E, F, G Classe III Boîtier type 4 ou 4X
		USA zones FP : classe I, zone 1, AEx d IIB+H2 Gb T6/T5/T4	
<b>Douille soudée</b>	Classe I, division 1, groupes B, C et D Classe II, groupes E, F, G Classe III Boîtier type 4 ou 4X	CAN zones FP : Ex d IIC Gb T6/T5/T4	Classe I, division 1, groupes B, C et D Classe II, groupes E, F, G Classe III Boîtier type 4 ou 4X
		USA zones FP : classe I, zone 1, AEx d IIC Gb T6/T5/T4	

### Caractéristiques électriques

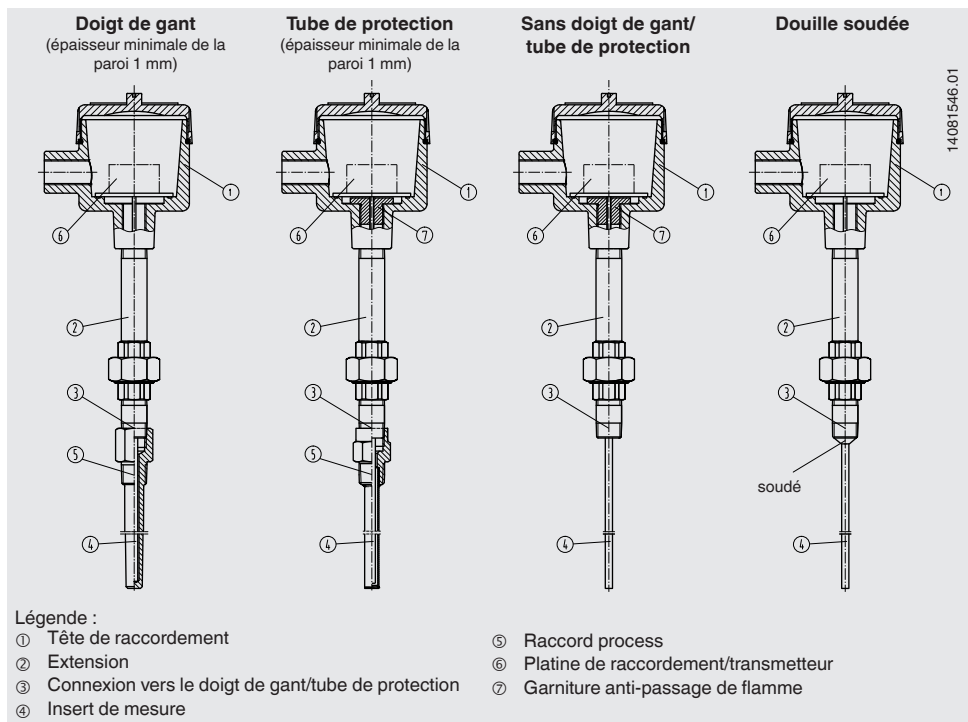
Maximum 30 VDC, 20 mA

# 7. Consignes de sécurité

## 7.2 Conditions spécifiques pour une utilisation sûre

1. Les limites de température ambiante sont :  
CSA, T6 : -50 ... +60 °C [-58 ... +140 °F]  
CSA, T5 : -50 ... +75 °C [-58 ... +167 °F]  
CSA, T4 : -50 ... +85 °C [-58 ... +185 °F]  
FM classe/division, T6 : -25 ... +40 °C [-13 ... +104 °F]
2. Veiller à ce qu'aucune source externe de chauffage ou de refroidissement n'ait pour effet de faire fonctionner l'installation en dehors de la plage de température ambiante autorisée.
3. Toutes les entrées de câble des appareils doivent avoir la certification adéquate et être compatibles avec le type de protection utilisé.
4. Lorsque des réducteurs, des manchons et/ou des coupleurs sont utilisés pour les raccords de capteur, ils doivent avoir la certification adéquate et être compatibles avec le marquage de cette installation. Les réducteurs doivent avoir une longueur maximale ≤ 15,24 cm [6 in].
5. Pour des températures ambiantes supérieures à 70 °C [158 °F], veiller à choisir un câble adapté à la plage de température utilisée.

FR



14503941.01 11/2021 EN/DE/FR/ES

### Classification de classe de température, températures ambiantes

Une surchauffe dans la tête de raccordement peut se produire avec le transmetteur intégré à cause d'une électronique défectueuse. Les températures admissibles dépendent du boîtier utilisé et de tout transmetteur monté en tête posé en supplément.

### Pour toutes les têtes de raccordement WIKA avec des transmetteurs de température intégré WIKA, l'interrelation suivante s'applique :

L'accroissement de température à la surface de la tête de raccordement ou du boîtier est inférieure à 25 K si les conditions suivantes sont réunies : alimentation électrique  $U_B$  maximum 30 VDC si le transmetteur est utilisé dans une limite de courant de 22,5 mA.

La classe de température dépend de l'application de l'utilisateur et de la température ambiante.

Les températures ambiantes admissibles pour des produits tiers peuvent être vues dans les approbations récentes et/ou les fiches techniques. Toutefois, un reflux de chaleur inadmissible, pouvant excéder la température de fonctionnement du boîtier ou la classe de température, doit être empêché par une isolation adéquate contre la chaleur ou une extension suffisamment longue.

## 8. Dysfonctionnements



### DANGER !

#### Danger d'explosion vital

Le travail en atmosphère inflammable peut donner lieu à une explosion avec risque de mort.

- ▶ Rectifier les défauts uniquement en atmosphères non-inflammables !



### ATTENTION !

#### Blessures physiques et dommages aux équipements et à l'environnement

Si les défauts ne peuvent pas être éliminés au moyen des mesures listées, l'instrument doit être mis hors service immédiatement.

- ▶ Assurez-vous qu'il n'y a plus aucun signal présent et empêchez toute remise en marche accidentelle.
- ▶ Contacter le fabricant.
- ▶ S'il est nécessaire de retourner l'instrument au fabricant, prière de respecter les indications mentionnées au chapitre 10.2 "Retour".



Pour le détail des contacts, merci de consulter le chapitre 1 "Généralités" ou le dos du mode d'emploi.



## 8. Dysfonctionnements

Dysfonctionnements	Raisons	Mesures
<b>Aucun signal/coupure de fil</b>	Charge mécanique trop élevée ou température excessive	Remplacement du capteur ou de l'élément de mesure avec une version appropriée
<b>Valeurs mesurées erronées</b>	Dérive du capteur causée par une température excessive	Remplacement du capteur ou de l'élément de mesure avec une version appropriée
	Dérive du capteur causée par une attaque chimique	Utilisation d'un doigt de gant adéquat
<b>Valeurs mesurées erronées (trop basses)</b>	Pénétration d'humidité dans le câble ou l'élément de mesure	Remplacement du capteur ou de l'élément de mesure avec une version appropriée
<b>Valeurs mesurées erronées et temps de réponse trop longs</b>	Géométrie de montage incorrecte, par exemple profondeur de montage trop profonde ou dissipation thermique trop élevée	La zone thermosensible du capteur doit se trouver dans le fluide et les surfaces doivent être isolées
	Dépôts sur le capteur ou le doigt de gant	Éliminer les dépôts
<b>Valeurs mesurées erronées (de thermocouples)</b>	Tensions parasites (tensions thermiques, tension galvanique) ou ligne de compensation non-adaptée	Vérifier la polarité Utilisation d'une ligne d'égalisation
<b>Indication des sautes de valeurs de mesure</b>	Rupture de câble dans le câble de raccordement ou contact lâche causé par une surcharge mécanique	Remplacement du capteur ou de l'insert de mesure par une version adaptée, par exemple équipée d'un ressort de compensation ou d'une section de câble plus épaisse
<b>Corrosion</b>	La composition du fluide n'est pas celle exigée ou est modifiée ou un matériau de doigt de gant incorrect est sélectionné	Analyser le fluide et sélectionner ensuite un matériau mieux adapté ou remplacer régulièrement le doigt de gant
<b>Interférence du signal</b>	Courants vagabonds provoqués par des champs électriques ou des boucles de terre	Utilisation de câbles de raccordement blindés, augmentation de la distance par rapport aux moteurs et lignes d'énergie
	Boucles de terre	Élimination des potentiels, utilisation de séparateurs d'alimentation ou de transmetteurs séparés galvaniquement

FR

### 9. Entretien, nettoyage et réétalonnage



Pour le détail des contacts, merci de consulter le chapitre 1 “Généralités” ou le dos du mode d'emploi.

#### 9.1 Entretien

Les thermomètres décrits ici sont sans entretien.

Les réparations ne doivent être effectuées que par le fabricant.

#### 9.2 Nettoyage



##### **ATTENTION !**

##### **Blessures physiques et dommages aux équipements et à l'environnement**

Un nettoyage inapproprié peut conduire à des blessures physiques et à des dommages aux équipements ou à l'environnement. Les restes de fluides se trouvant dans les instruments démontés peuvent mettre en danger les personnes, l'environnement ainsi que l'installation.

► Effectuer la procédure de nettoyage comme décrit ci-dessous.

1. Avant de nettoyer les raccordements électriques, il faut les débrancher correctement.
2. Nettoyer l'instrument avec un chiffon humide.
3. Eviter tout contact des raccords électriques avec l'humidité.



##### **ATTENTION !**

##### **Dommages à l'instrument**

Un nettoyage inapproprié peut conduire à l'endommagement de l'instrument !

- Ne pas utiliser de détergents agressifs.
- Ne pas utiliser d'objets pointus ou durs pour le nettoyage.

4. Laver et décontaminer l'instrument démonté afin de protéger les personnes et l'environnement contre le danger lié aux résidus de fluides.

Les restes de fluides se trouvant dans les instruments démontés peuvent mettre en danger les personnes, l'environnement ainsi que l'installation. Prendre des mesures de sécurité suffisantes.

#### 9.3 Etalonnage, réétalonnage

Il est recommandé que l'insert de mesure soit étalonné à intervalles réguliers (sondes à résistance : environ 24 mois, thermocouples : environ 12 mois). Cette période peut être réduite, en fonction de l'application particulière. L'étalonnage peut être effectué par le fabricant, ainsi que sur le site par du personnel technique qualifié avec des instruments d'étalonnage.

Pour l'étalonnage, l'insert de mesure est retiré du thermomètre. La longueur minimum (partie métallique du capteur) pour effectuer un test de précision de mesure 3.1 ou DAkkS est de 100 mm [3,94 in]. Etalonnage de longueurs plus courtes sur demande.

### 10. Démontage, retour et mise au rebut

#### 10.1 Démontage



##### **AVERTISSEMENT !**

##### **Blessures physiques et dommages aux équipements et à l'environnement liés aux résidus de fluides**

Lors du contact avec un fluide dangereux (par ex. oxygène, acétylène, substances inflammables ou toxiques), un fluide nocif (par ex. corrosif, toxique, cancérigène, radioactif), et également avec des installations de réfrigération et des compresseurs, il y a un danger de blessures physiques et de dommages aux équipements et à l'environnement.

- ▶ Avant de stocker l'instrument démonté (à la suite de son utilisation), le laver ou le nettoyer afin de protéger le personnel et l'environnement contre le danger lié aux résidus de fluides.
- ▶ Utiliser l'équipement de protection requis (en fonction de l'application ; le thermomètre lui-même n'est en principe pas dangereux).
- ▶ Observer les informations de la fiche de données de sécurité du fluide correspondant.

Déconnecter le thermomètre seulement si le système a été mis hors pression !



##### **AVERTISSEMENT !**

##### **Danger de brûlure**

Durant le démontage, il y a un danger lié à l'échappement de fluides dangereusement chauds.

- ▶ Avant le démontage de l'instrument, le laisser refroidir suffisamment !

#### 10.2 Retour

##### **En cas d'envoi de l'instrument, il faut respecter impérativement ceci :**

Tous les instruments livrés à WIKA doivent être exempts de substances dangereuses (acides, bases, solutions, etc.) et doivent donc être nettoyés avant d'être retournés.

Pour retourner l'instrument, utiliser l'emballage original ou un emballage adapté pour le transport.

##### **Pour éviter des dommages :**

1. Placer l'instrument avec le matériau isolant dans l'emballage.  
Isoler de manière uniforme tous les côtés de l'emballage de transport.
2. Mettre si possible un sachet absorbant d'humidité dans l'emballage.
3. Indiquer lors de l'envoi qu'il s'agit d'un instrument de mesure très sensible à transporter.



Des informations relatives à la procédure de retour sont disponibles sur notre site Internet à la rubrique "Services".

## 10. Démontage, retour et mise au rebut / 11. Spécifications

### 10.3 Mise au rebut

Une mise au rebut inadéquate peut entraîner des dangers pour l'environnement. Éliminer les composants des instruments et les matériaux d'emballage conformément aux prescriptions nationales pour le traitement et l'élimination des déchets et aux lois de protection de l'environnement en vigueur.



Ne pas mettre au rebut avec les ordures ménagères. Assurer une mise au rebut correcte en conformité avec les réglementations nationales.

## 11. Spécifications

### Insert de mesure

<b>Versions</b>	Câble de mesure gainé résistant aux vibrations (câble chemisé)	
<b>Transfert de chaleur optimal</b>	Condition nécessaire	<ul style="list-style-type: none"><li>■ Longueur de l'insert de mesure correcte</li><li>■ Diamètre de l'insert de mesure correct</li></ul>
	Diamètre de l'orifice du doigt de gant	Max. 1 mm [0,04 in] plus grand que le diamètre de l'insert de mesure
	Largeur du joint	Pour une largeur de joint > 0,5 mm [> 0,02 in] entre le doigt de gant et l'insert de mesure : → Impact négatif sur le transfert de chaleur → Comportement de réponse défavorable du thermomètre
<b>Longueur utile</b>	Lors du montage de l'insert de mesure avec un doigt de gant, il est très important de déterminer la longueur utile adéquate (= longueur de doigt de gant pour épaisseurs de fond ≤ 5,5 mm [≤ 0,22 in]). Dans le but de garantir que l'insert de mesure soit bien appuyé sur le fond du doigt de gant, il faut que l'insert soit doté de ressorts de compression (course du ressort : 0 ... 10 mm [0 ... 0,39 in]).	
<b>Course du ressort</b>		
Plaque montée sur ressort	max. 10 mm [0,39 in]	
Ressort auto-grippant	max. 20 mm [0,79 in]	

### Conditions de fonctionnement

<b>Température ambiante et température de stockage</b>	-40 ... +80 °C [-40 ... +176 °F]
<b>Résistance aux vibrations</b>	Les informations concernant la résistance aux vibrations se rapportent à l'extrémité de l'insert de mesure. → Pour obtenir des spécifications détaillées sur la résistance aux vibrations des capteurs Pt100, voir les Informations techniques IN 00.17 sur <a href="http://www.wika.fr">www.wika.fr</a> .
Standard	6 g crête-à-crête, résistance de mesure bobinée ou en couches minces
Option	<ul style="list-style-type: none"><li>■ Extrémité de capteur résistante aux vibrations, max. 20 g, crête-à-crête, résistance de mesure bobinée ou en couches minces</li><li>■ Extrémité de capteur hautement résistante aux vibrations, max. 50 g, crête-à-crête, résistance de mesure en couches minces</li></ul>

# 11. Spécifications

## Indice de protection IP selon CEI 60529/EN 60529

Premier chiffre d'indice	Degré de protection / Courte description	Paramètres de test
<b>Degrés de protection contre des corps étrangers solides (définis par le premier chiffre d'indice)</b>		
5	Protégé contre la poussière	Selon CEI/EN 60529
6	Étanche à la poussière	Selon CEI/EN 60529
<b>Degrés de protection contre l'eau (définis par le second chiffre d'indice)</b>		
4	Protégé contre des éclaboussures	Selon CEI/EN 60529
5	Protégé contre des jets d'eau	Selon CEI/EN 60529
6	Protégé contre de puissants jets d'eau	Selon CEI/EN 60529
7 <sup>1)</sup>	Protégé contre les effets d'immersion temporaire dans l'eau	Selon CEI/EN 60529
8 <sup>1)</sup>	Protégé contre les effets d'immersion permanente dans l'eau	Comme convenu

1) Indices de protection décrivant une immersion temporaire ou permanente, sur demande

L'indice de protection standard du type Tx10-0 est IP65.

Les indices de protection mentionnés s'appliquent dans les conditions suivantes :

- Utilisation d'un doigt de gant adéquat (sans doigt de gant adéquat : IP40)
- Utilisation d'un presse-étoupe adéquat
- Utilisation d'une section de câble adéquate pour le presse-étoupe ou choix d'un presse-étoupe approprié pour le câble disponible
- Respect des couples de serrage pour tous les raccords filetés

### 11.1 Type TR10-0

Élément de mesure		
Type d'élément de mesure	Pt100, Pt1000 <sup>1)</sup>	
Mesure de courant	0,1 ... 1,0 mA	
<b>Limites de validité de la classe de précision en conformité avec EN 60751</b>		
Classe B	Bobiné	-196 ... +600 °C [-321 ... +1.112 °F]
	Couche mince	-50 ... +500 °C [-58 ... +932 °F]
Classe A <sup>2)</sup>	Bobiné	-100 ... +450 °C [-148 ... +842 °F]
	Couche mince	-30 ... +300 °C [-22 ... +572 °F]
Classe AA <sup>2)</sup>	Bobiné	-50 ... +250 °C [-58 ... +482 °F]
	Couche mince	0 ... 150 °C [-32 ... +302 °F]

1) Pt1000 disponible seulement comme résistance de mesure à couche mince

2) Pas avec la méthode de raccordement à 2 fils

Pour de plus amples spécifications, voir la fiche technique WIKA TE 61.01 et la documentation de commande.

# 11. Spécifications

## 11.2 Type TC10-0

Elément de mesure		
Type d'élément de mesure	Thermocouple selon CEI 60584-1 ou ASTM E230 Types K, J, E, N, T	
Mesure de courant	<ul style="list-style-type: none"> <li>■ Soudure isolés (standard)</li> <li>■ Version non isolé</li> </ul>	
Limites de validité de la classe de précision selon EN 60584-1		
Type K	Classe 2	-40 ... +1.200 °C [-40 ... +2.192 °F]
	Classe 1	-40 ... +1.000 °C [-40 ... +1.832 °F]
Type J	Classe 2	-40 ... +750 °C [-40 ... +1.382 °F]
	Classe 1	-40 ... +750 °C [-40 ... +1.382 °F]
Type E	Classe 2	-40 ... +900 °C [-40 ... +1.652 °F]
	Classe 1	-40 ... +800 °C [-40 ... +1.472 °F]
Type N	Classe 2	-40 ... +1.200 °C [-40 ... +2.192 °F]
	Classe 1	-40 ... +1.000 °C [-40 ... +1.832 °F]
Type T	Classe 2	-40 ... +350 °C [-40 ... +662 °F]
	Classe 1	-40 ... +350 °C [-40 ... +662 °F]
Limites de validité de la classe de précision en conformité avec ASTM-E230		
Type K	Standard	0 ... 1.260 °C [32 ... 2.300 °F]
	Spécial	0 ... 1.260 °C [32 ... 2.300 °F]
Type J	Standard	0 ... 760 °C [32 ... 1.400 °F]
	Spécial	0 ... 760 °C [32 ... 1.400 °F]
Type E	Standard	0 ... 870 °C [32 ... 1.598 °F]
	Spécial	0 ... 870 °C [32 ... 1.598 °F]
Type N	Standard	0 ... 1.260 °C [32 ... 2.300 °F]
	Spécial	0 ... 1.260 °C [32 ... 2.300 °F]
Type T	Standard	0 ... 370 °C [32 ... 698 °F]
	Spécial	0 ... 370 °C [32 ... 698 °F]

Pour de plus amples spécifications, voir la fiche technique WIKA TE 66.01 et la documentation de commande.

# Contenido

<b>1. Información general</b>	<b>64</b>
<b>2. Diseño y función</b>	<b>64</b>
<b>3. Seguridad</b>	<b>66</b>
<b>4. Transporte, embalaje y almacenamiento</b>	<b>69</b>
<b>5. Puesta en servicio, funcionamiento</b>	<b>70</b>
<b>6. Notas acerca del montaje y servicio en zonas potencialmente explosivas</b>	<b>73</b>
<b>7. Indicaciones técnicas de seguridad</b>	<b>74</b>
<b>8. Errores</b>	<b>76</b>
<b>9. Mantenimiento, limpieza y recalibración</b>	<b>78</b>
<b>10. Desmontaje, devolución y eliminación de residuos</b>	<b>79</b>
<b>11. Datos técnicos</b>	<b>80</b>

## 1. Información general

- El instrumento descrito en el manual de instrucciones está fabricado según el estado actual de la técnica. Todos los componentes están sometidos durante su fabricación a estrictos criterios de calidad y medioambientales. Nuestros sistemas de gestión están certificados según ISO 9001 e ISO 14001.
- Este manual de instrucciones proporciona indicaciones importantes acerca del manejo del instrumento. Para un trabajo seguro, es imprescindible cumplir con todas las instrucciones de seguridad y manejo indicadas.
- Cumplir siempre las normativas sobre la prevención de accidentes y las normas de seguridad en vigor en el lugar de utilización del instrumento.
- El manual de instrucciones es una parte integrante del instrumento y debe guardarse en la proximidad del mismo para que el personal especializado pueda consultarlo en cualquier momento.
- El personal especializado debe haber leído y entendido el manual de instrucciones antes de comenzar cualquier trabajo.
- El fabricante queda exento de cualquier responsabilidad en caso de daños causados por un uso no conforme a la finalidad prevista, el no cumplimiento del presente manual de instrucciones, un manejo por personal insuficientemente cualificado así como una modificación no autorizada del instrumento.
- Se aplican las condiciones generales de venta incluidas en la documentación de venta.
- Modificaciones técnicas reservadas.
- Para obtener más información consultar:

## 2. Diseño y función

### 2.1 Descripción

Los termómetros eléctricos modelos TR10-0 (termorresistencia) o TC10-0 (termopar) se componen de una unidad de medida extraíble montada en una caja con certificación Ex d. En combinación con un casquillo (antillama) de ajuste roscado en el cabezal, la unidad de medida extraíble opera como junta antideflagrante. La unidad de medida extraíble (TR10-1, TC10-1) es intercambiable.

### Estructura del sensor en el modelo TR10-0

El resistor está embutido en polvo cerámico, compuesto de sellar resistente al calor, cementita o pasta termoconductible. Un tapón soldado forma la vaina exterior de la punta del sensor de la unidad de medida extraíble.



### Estructura del sensor en modelo TC10-0

La unidad de medida extraíble del termopar está fabricada de un cable con aislamiento mineral flexible. El termopar dispone de los conductores internos del cable con aislamiento mineral. El punto de soldadura del termopar está, dependiendo del diseño, soldado sin conexión a tierra con los cables internos del cable con aislamiento mineral o soldado con conexión a tierra.

Un sensor de construcción tipo termopar con conexión a tierra, va directamente unido al mantel. Las versiones con diámetro inferior a 3 mm y termopares con conexión a tierra se consideran como unidas galvánicamente con el potencial de tierra.

### Versiones disponibles:

- Paso de la llama sin vaina
- Paso de la llama con vaina
- Los termómetros sin accesorio de paso de llama pueden diseñarse como un casquillo soldado sin vaina

Los termómetros sin casquillo de ajuste sólo pueden ser utilizados en combinación con una vaina de una sola pieza homologada por WIKA, con un espesor de pared mínimo de 1 mm.

En el montaje del casquillo de ajuste en el cabezal de conexión del termómetro una vaina no es obligatorio por razones de aprobación. Sin embargo, en la mayoría de los casos, el uso de una vaina/tubo de protección (con un espesor mínimo de pared de 1 mm) resulta necesario por razones técnicas del proceso.

El diseño de la vaina puede escogerse libremente, respetando sin embargo los datos operativos del proceso (temperatura, presión, densidad y velocidad de circulación). Si existe ya una vaina WIKA o ha sido ya montada, no se requiere un casquillo de ajuste.

Los termómetros modelos TR10-0 o TC10-0L son fabricados por WIKA con cabezales o cajas de conexión con certificación. La tapa puede dotarse opcionalmente de una mirilla. Opcionalmente, la tapa puede estar dotada de una mirilla.

Posibles rangos de medición del sensor, véase capítulo 11 “Datos técnicos”

Las siguientes indicaciones de montaje y operación han sido compiladas minuciosamente. Sin embargo, no es posible considerar todos los casos de aplicación.

### 2.2 Alcance del suministro

Comparar mediante el albarán si se han entregado todas las piezas.

### 3. Seguridad

#### 3.1 Explicación de símbolos



##### **¡ADVERTENCIA!**

... señala una situación probablemente peligrosa que puede causar la muerte o lesiones graves si no se evita.



##### **¡CUIDADO!**

... señala una situación probablemente peligrosa que puede causar lesiones leves, daños al equipo o al medio ambiente si no se evita.



##### **¡ADVERTENCIA!**

... señala una situación de peligro potencial en la zona potencialmente explosiva, lo que puede provocar la muerte o lesiones graves si no se evita.



##### **¡ADVERTENCIA!**

... señala una situación de peligro que puede provocar quemaduras causadas por superficies o líquidos calientes si no se evita.



##### **Información**

... destaca consejos y recomendaciones útiles así como informaciones para una utilización eficiente y libre de errores.

#### 3.2 Uso conforme a lo previsto

Estos termorresistencias y los termopares sirven para medir la temperatura en aplicaciones industriales en zonas potencialmente explosivas.

El instrumento ha sido diseñado y construido únicamente para la finalidad aquí descrita y debe utilizarse en conformidad a la misma.

Cumplir las especificaciones técnicas de este manual de instrucciones. Un manejo no apropiado o una utilización del instrumento no conforme a las especificaciones técnicas requiere la inmediata puesta fuera de servicio y la comprobación por parte de un técnico autorizado por WIKA.

No se admite ninguna reclamación debido a un manejo no adecuado.

### 3.3 Responsabilidad del usuario

La responsabilidad de selección del termómetro o la vaina así como la selección del material para asegurar el funcionamiento seguro de la instalación o de la máquina asume la empresa propietaria/operadora. Durante la elaboración de la oferta, WIKA puede dar recomendaciones únicamente basadas en experiencias con aplicaciones similares.

Se debe cumplir las notas de seguridad en este manual de instrucciones, así como la validez de las normas de seguridad de la unidad, de prevención de accidentes y protección del medio ambiente.

El usuario está obligado a mantener la placa de identificación bien legible.

### 3.4 Cualificación del personal



#### **¡ADVERTENCIA!**

#### **Riesgo de lesiones debido a una insuficiente cualificación**

Un manejo no adecuado puede causar considerables daños personales y materiales.

- ▶ Las actividades descritas en este manual de instrucciones deben ser realizadas únicamente por electricistas profesionales con la cualificación detallada a continuación.

#### **Personal especializado**

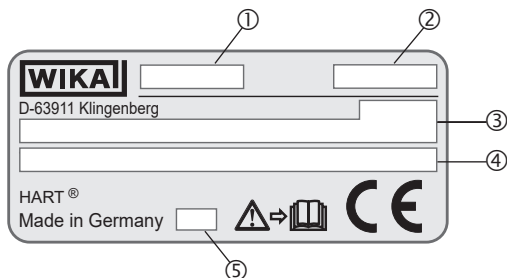
Debido a su formación profesional, a sus conocimientos de la técnica de regulación y medición así como a su experiencia y su conocimiento de las normativas, normas y directivas vigentes en el país de utilización el personal especializado es capaz de ejecutar los trabajos descritos y reconocer posibles peligros por sí solo.

Algunas condiciones de uso específicas requieren conocimientos adicionales, p. ej. acerca de medios agresivos.

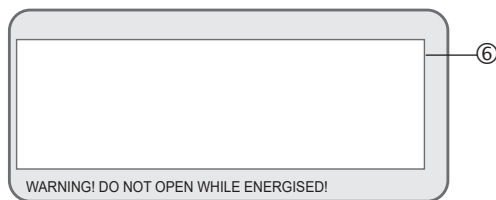
## 3. Seguridad

### 3.5 Rótulos / marcajes de seguridad

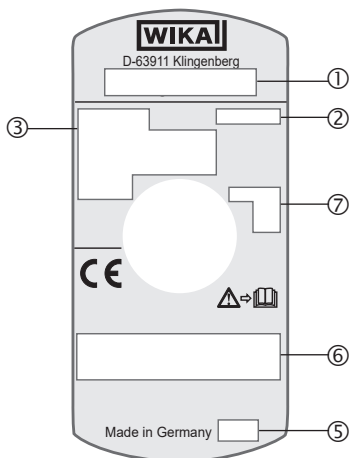
#### Placa de identificación (ejemplo)



#### ■ Datos adicionales para los instrumentos Ex



#### ■ Placa de identificación para Tx10-1 (unidad extraíble de recambio)



- ① Modelo
- ② Número de serie
- ③ Datos de versión (elemento de medición, rango de medición...)

Sensor conforme a la norma (termopar)

- soldadura aislada (ungrounded)
- con conexión a tierra (grounded)

- ④ Modelo de transmisor (sólo en la variante con transmisor)

- ⑤ Año de fabricación

- ⑥ Datos relevantes de la homologación

- ⑦ Símbolo de sensor

■ soldadura aislada (ungrounded) = aislado de masa

■ con conexión a tierra (grounded) = soldado en la funda (conectado a tierra)

■ en principio puesto a tierra



= El termómetro debe considerarse como puesto a tierra debido a distancias de aislamiento mínimas entre sensor de resistencia eléctrica y revestimiento.

## 3. Seguridad / 4. Transporte, embalaje y almacenamiento



¡Es absolutamente necesario leer el manual de instrucciones antes del montaje y la puesta en servicio del instrumento!

## 4. Transporte, embalaje y almacenamiento

### 4.1 Transporte

Comprobar si el instrumento presenta eventuales daños causados en el transporte. Notificar daños obvios de forma inmediata.



#### ¡CUIDADO!

#### **Daños debidos a un transporte inadecuado**

Transportes inadecuados pueden causar daños materiales considerables.

- ▶ Tener cuidado al descargar los paquetes durante la entrega o el transporte dentro de la compañía y respetar los símbolos en el embalaje.
- ▶ Observar las instrucciones en el capítulo 4.2 “Embalaje y almacenamiento” en el transporte dentro de la compañía.

Si se transporta el instrumento de un ambiente frío a uno caliente, puede producirse un error de funcionamiento en el mismo. En tal caso, hay que esperar que la temperatura del instrumento se adapte a la temperatura ambiente antes de volver a ponerlo en funcionamiento.

### 4.2 Embalaje y almacenamiento

No quitar el embalaje hasta justo antes del montaje. Guardar el embalaje ya que es la protección ideal durante el transporte (por. ej. si el lugar de instalación cambia o si se envía el instrumento para posibles reparaciones).

#### **Condiciones admisibles en el lugar de almacenamiento:**

- Temperatura de almacenamiento: -40 ... +80 °C [-40 ... +176 °F]
- Humedad: 35 ... 85 % de humedad relativa (sin rocío)

#### **Evitar lo siguiente:**

- Luz solar directa o proximidad a objetos calientes
- Vibración mecánica, impacto mecánico (colocación brusca)
- Hollín, vapor, polvo y gases corrosivos
- Entorno potencialmente explosivo, atmósferas inflamables

Almacenar el instrumento en su embalaje original en un lugar que cumple las condiciones arriba mencionadas. Si no se dispone del embalaje original, empaquetar y almacenar el instrumento como sigue:

1. Colocar el instrumento junto con el material aislante en el embalaje.
2. Para un almacenamiento prolongado (más de 30 días) colocar una bolsa con un desecante en el embalaje.

## 5. Puesta en servicio, funcionamiento

### 5. Puesta en servicio, funcionamiento

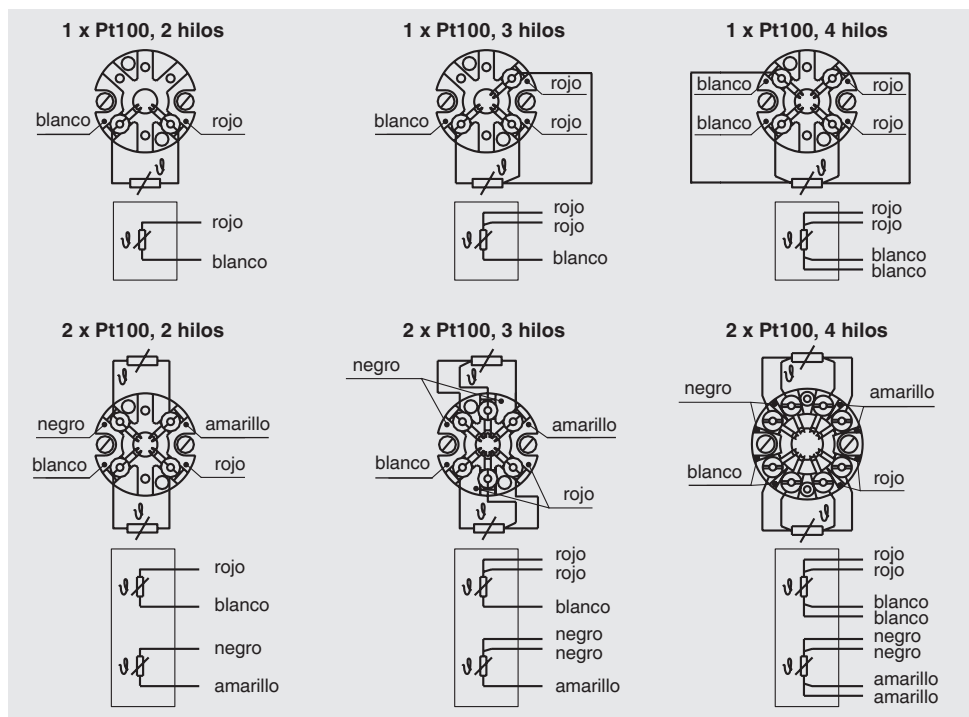
#### 5.1 Desmontaje y montaje de la unidad de medida extraíble

Cuando se necesitan trabajos de mantenimiento o una recalibración, cuidar de que las dos superficies del hueco antideflagrante (casquillo de ajuste y unidad de medida extraíble) no sufran daño al montar la unidad de medida extraíble. Las partes dañadas o rayadas de la junta ignífuga deben ser sustituidas.

#### 5.2 Conexión eléctrica

##### 5.2.1 Conexión al zócalo de apriete

###### Modelo TR10-0

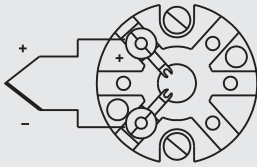


Codificación de asignación y color para Pt1000 así como para Pt100  
Pt1000 solo disponible como elementos simples

## 5. Puesta en servicio, funcionamiento

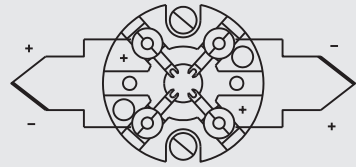
### Modelo TC10-0

Termopar individual



Para la asignación de polaridad/borne rige la identificación en color del polo positivo en el instrumento.

Termopar doble



3166822.03

#### 5.2.2 Conexión al transmisor incorporado

Los datos eléctricos (p. ej. esquemas de conexiones, discrepancias límite, etc.) deben consultarse en el respectivo manual de instrucciones o la hoja técnica del transmisor de cabezal incorporado.

Unión entre el conducto/accesorio de sellado adecuado y el cable:

Roscar **firmemente** la tuerca de apriete en el adaptador (¡utilice las herramientas adecuadas!)

#### Tener en cuenta durante el montaje

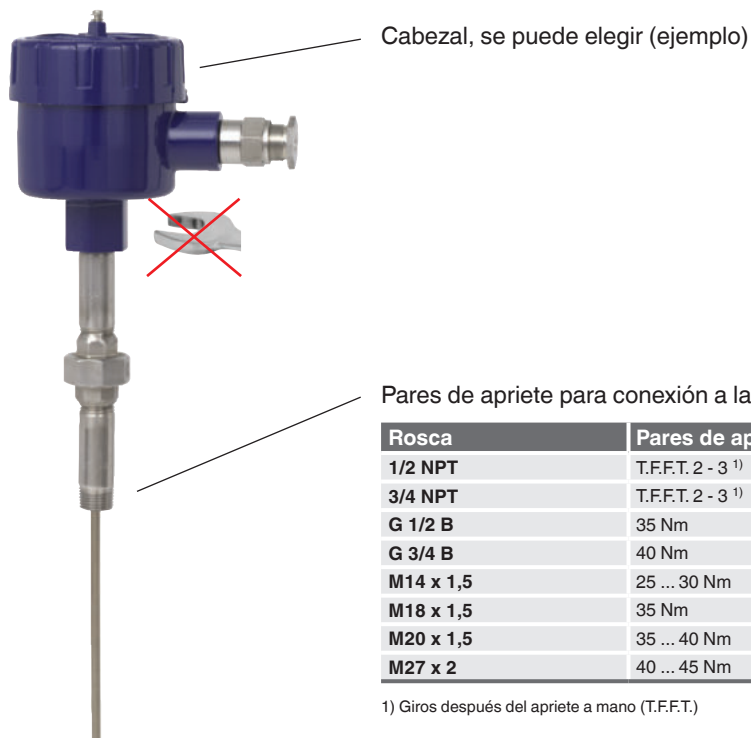
- Evitar el desplazamiento de la cubierta del cable al apretar firmemente el tornillo de apriete.
- Evitar incisiones de profundidad excesiva en la cubierta del cable.
- Utilizar un cable/conductor adecuado.
- Tener en cuenta la zona de apriete del conducto/accesorio de sellado.

Consultar el NEC/CEC para obtener información adicional.

ES

## 5. Puesta en servicio, funcionamiento

### 5.3 Pares de apriete

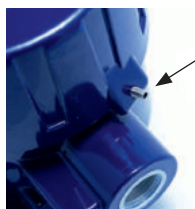


Rosca	Pares de apriete
1/2 NPT	T.F.F.T. 2 - 3 <sup>1)</sup>
3/4 NPT	T.F.F.T. 2 - 3 <sup>1)</sup>
G 1/2 B	35 Nm
G 3/4 B	40 Nm
M14 x 1,5	25 ... 30 Nm
M18 x 1,5	35 Nm
M20 x 1,5	35 ... 40 Nm
M27 x 2	40 ... 45 Nm

1) Giros después del apriete a mano (T.F.F.T.)

- Roscar y desenrosar el instrumento únicamente en las zonas de agarre para la llave utilizando una herramienta adecuada y aplicando el par de giro especificado.
- El par de giro correcto depende de la dimensión de la rosca de conexión así como de la junta utilizada (forma/material).
- No está permitido enrosar o desenrosar el cabezal de conexión.
- Vigilar al enrosar que no se ladeen los hilos de rosca.

### 5.4 Tornillo de bloqueo



Apretar siempre el tornillo de bloqueo para impedir la abertura accidental del cabezal antideflagrante.

Antes de abrir el cabezal es imprescindible aflojar lo suficiente el tornillo de bloqueo.



### 6. Notas acerca del montaje y servicio en zonas potencialmente explosivas



#### ¡ADVERTENCIA!

La inobservancia del contenido y de las instrucciones puede originar la pérdida de la protección contra explosiones.



Deben observarse los requerimientos de CSA y FM. Adicionalmente rigen las indicaciones de las respectivas disposiciones nacionales referidas al uso en ambientes potencialmente explosivos (por ejemplo, CEC y NEC).

- La responsabilidad para la clasificación de zonas le corresponde a la empresa explotadora/operadora de la planta y no al fabricante/proveedor de los equipos eléctricos.
- El propietario de la instalación debe asegurarse de responsabilidad propia que sean visibles los datos de seguridad en los termómetros enteros que están operativos. Queda prohibida la utilización de sondas dañadas.
- En la instalación de los termopares se permiten únicamente componentes (p. ej. cables, prensaestopas, etc.) aptos para encapsulado a prueba de presión.
- Para la puesta a tierra del conductor blindado, siga las especificaciones de CEC o NEC.
- En caso de usar un transmisor/indicador digital, tener en cuenta:
  - El contenido del presente manual de instrucciones y aquel perteneciente al transmisor/indicador digital
  - Las regulaciones relevantes para la instalación y el uso de instalaciones eléctricas
  - Las disposiciones y directivas sobre protección contra explosiones
- Las sondas a prueba de presión con certificado deben montarse únicamente en cabezales o cajas de conexión certificados, del tipo de protección con blindaje a prueba de presión.
- Las holguras de rosca admisibles para el montaje para equipos eléctricos para atmósferas de gas potencialmente explosivas están nombrados en la norma CSA C22.2 N<sup>o</sup>. 30, CSA 60079-1 y FM 3615.
- La unión directa de racor del termómetro al cabezal de conexión o a la caja no debe ser girada ni abierta. Una alineación de la caja puede hacerse únicamente mediante el cuello divisible opcional.
- La resistencia a la temperatura del cable de conexión debe corresponder al rango de temperatura de servicio admisible de la caja. Para temperaturas ambiente superiores a 60 °C [140 °F] deben emplearse cables de conexión resistentes al calor.
- No está permitido montar pilas o células en la caja con protección antideflagrante.
- No se puede instalar ningún condensador dentro de la caja antideflagrante. No debe abrirse la caja durante el funcionamiento. Tras la desconexión de la tensión de servicio observar un tiempo de espera de 2 minutos antes de abrir la caja.

ES

## 6. Información ... / 7. Indicaciones técnicas de seguridad

- Montaje dentro de cajas metálicas:  
La caja debe ser puesta a tierra contra campos electromagnéticos y carga electrostática. No es necesaria una conexión por separado al sistema equipotencial. Es suficiente que la vaina metálica tenga un contacto fijo y seguro con el recipiente metálico o con sus partes estructurales o tuberías, siempre que dichos componentes estén unidos a un sistema equipotencial.
- No se permite ningún tipo de reparación ni modificación constructiva, ya que estas modificaciones provocan la cancelación de la garantía y del certificado correspondiente.
- Las modificaciones constructivas posteriores a la entrega de los instrumentos no son de responsabilidad del fabricante.

ES

## 7. Indicaciones técnicas de seguridad

### 7.1 Marcado

Versión	CSA		FM
	Clase/División	Zona	Clase/División
<b>Sin casquillo de ajuste</b> con vaina (espesor mínimo de pared 1 mm)	Clase I, división 1, grupos B, C, D Clase II, grupos E, F, G Clase III Caja tipo 4 o 4X	Zonas CAN FP: Ex d IIC Gb T6/T5/T4	Clase I, división 1, grupos B, C, D Clase II, grupos E, F, G Clase III Caja tipo 4 o 4X
		Zonas USA FP: Clase I, zona 1, AEx d IIC Gb T6/T5/T4	
<b>Con casquillo de ajuste</b> con vaina de tubo (espesor mínimo de pared 1 mm)	Clase I, división 1, grupos B, C, D Clase II, grupos E, F, G Clase III Caja tipo 4 o 4X	Zonas CAN FP: Ex d IIB+H2 Gb T6/T5/T4	Clase I, división 1, grupos B, C, D Clase II, grupos E, F, G Clase III Caja tipo 4 o 4X
		Zonas USA FP: Clase I, zona 1, AEx d IIB+H2 Gb T6/T5/T4	
<b>Con casquillo de ajuste</b> sin vaina	Clase I, división 1, grupos B, C, D Clase II, grupos E, F, G Clase III Caja tipo 4 o 4X	Zonas CAN FP: Ex d IIB+H2 Gb T6/T5/T4	Clase I, división 1, grupos B, C, D Clase II, grupos E, F, G Clase III Caja tipo 4 o 4X
		Zonas USA FP: Clase I, zona 1, AEx d IIB+H2 Gb T6/T5/T4	
<b>Manguito soldado</b>	Clase I, división 1, grupos B, C, D Clase II, grupos E, F, G Clase III Caja tipo 4 o 4X	Zonas CAN FP: Ex d IIC Gb T6/T5/T4	Clase I, división 1, grupos B, C, D Clase II, grupos E, F, G Clase III Caja tipo 4 o 4X
		Zonas USA FP: Clase I, zona 1, AEx d IIC Gb T6/T5/T4	

### Parámetros eléctricos

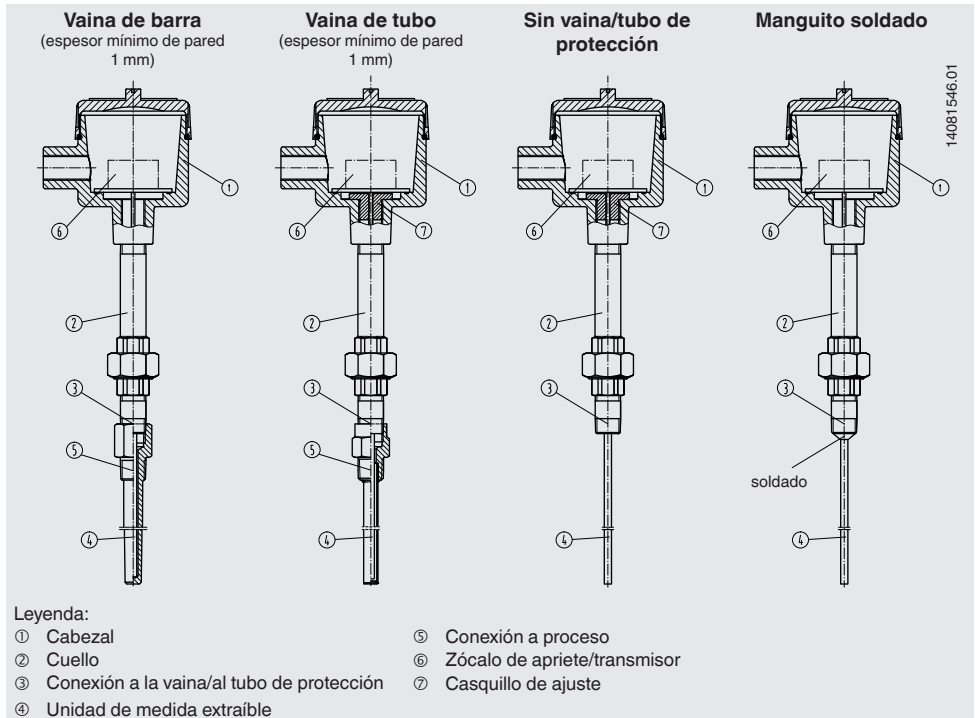
Máximo DC 30 V, 20 mA

# 7. Indicaciones técnicas de seguridad

## 7.2 Condiciones especiales para la utilización segura

1. Los valores límite de la temperatura ambiente son:  
CSA, T6: -50 ... +60 °C [-58 ... +140 °F]  
CSA, T5: -50 ... +75 °C [-58 ... +167 °F]  
CSA, T4: -50 ... +85 °C [-58 ... +185 °F]  
Clase/división FM, T6: -25 ... +40 °C [-13 ... +104 °F]
2. Debe asegurarse prestar atención a que el modelo no se haga funcionar fuera del rango de temperaturas ambiente admisible debido a fuentes de calor o de refrigeración externas.
3. Todos los instrumentos con entrada de cables deben disponer del certificado necesario y ser compatibles con el tipo de protección aplicado.
4. Si se utilizan casquillos, elementos de unión y/o acoplamientos para las conexiones de sensor, estos deben disponer del certificado y corresponder con el marcaje de este modelo. Las espigas tendrán una longitud máxima  $\leq 15,24$  cm [6"].
5. En caso de temperaturas ambiente superiores a 70 °C [158 °F], prestar atención a que se seleccione un cable apto para el rango de temperaturas ambiente previsto.

ES



14503941.01 11/2021 EN/DE/FR/ES

## 7. Indicaciones técnicas de seguridad / 8. Errores

### División en clases de temperatura y rangos de temperatura ambiente

Con el transmisor incorporado puede producirse un calentamiento en el cabezal de conexión debido a un sistema electrónico fallido. Las temperaturas ambiente se rigen por las cajas utilizadas y del transmisor de cabezal incorporado adicionalmente.

### Para todos los cabezales de conexión WIKA con transmisores de temperatura WIKA incorporados rige la siguiente relación:

El aumento de temperatura en la superficie del cabezal de conexión o de la caja es inferior a 25 K cuando se cumplen las siguientes condiciones: corriente auxiliar  $U_B$  máximo DC 30 V, cuando el transmisor se opera en la limitación de corriente de 22,5 mA.

La clase de temperatura depende de la aplicación del usuario y de la temperatura ambiente. Las temperaturas ambiente admisibles de productos de terceros las deben consultarse en las respectivas homologaciones y hojas técnicas. Sin embargo, debe impedirse un reflujó térmico no permitido proveniente del proceso, que supere la temperatura de trabajo o la clase de temperatura del transmisor o de la caja, mediante un aislamiento térmico adecuado o un tubo de cuello suficientemente largo.

## 8. Errores



### ¡PELIGRO!

#### Peligro de muerte por explosión

El uso en atmósferas fácilmente inflamables causa peligros de explosión que pueden causar la muerte.

- ▶ ¡Eliminar defectos sólo en atmósferas no inflamables!



### ¡CUIDADO!

#### Lesiones corporales, daños materiales y del medio ambiente

Si no se pueden solucionar los defectos mencionados se debe poner el dispositivo inmediatamente fuera de servicio.

- ▶ Asegurar que el dispositivo no reciba ninguna señal y disponer las medidas necesarias para evitar una puesta en marcha accidental.
- ▶ Contactar al fabricante.
- ▶ En caso de devolución, observar las indicaciones del capítulo 10.2 "Devolución".



Para consultar los datos de contacto, ver capítulo 1 "Información general" o contraportada del manual de instrucciones.

## 8. Errores

Errores	Causas	Medidas
<b>Sin señal/rotura de cable</b>	Carga mecánica excesiva o temperaturas extremas	Sustituir el sensor o la unidad de medida extraíble por una versión adecuada
<b>Valores de medición erróneos</b>	Desviación por sobretemperatura	Sustituir el sensor o la unidad de medida extraíble por una versión adecuada
	Desviación por ataque químico	Utilizar una vaina adecuada
<b>Valores de medición erróneos (demasiado bajos)</b>	Humedad en el cable o en la unidad extraíble	Sustituir el sensor o la unidad de medida extraíble por una versión adecuada
<b>Valores de medición erróneos y tiempos de activación demasiado largos</b>	Geometría de montaje equivocada, p. ej. profundidad de montaje demasiado reducida o disipación de calor demasiado elevada	La zona del sensor sensible a la temperatura debe situarse en el interior del medio y las superficies deben estar aisladas
	Depósitos en el sensor o la vaina	Eliminar los residuos
<b>Valores de medición erróneos (termopares)</b>	Tensión parásita (tensión termoelectrónica, tensión galvánica) o cable de compensación no correcta	Comprobar la polaridad Utilizar un adecuado cable de compensación
<b>La indicación del valor de medición salta</b>	Rotura en el cable de conexión o contacto intermitente por sobrecarga mecánica	Sustituir el sensor o la unidad de medida extraíble por una versión adecuada, p. ej. con alivio de tensión o sección de cable superior
<b>Corrosión</b>	La composición del medio no coincide con la composición supuesta o se ha modificado o se ha seleccionado el material de vaina de barra no correcto	Analizar el medio, seleccionar un material más apto o sustituir periódicamente la vaina
<b>Señal perturbada</b>	Interferencia por campos eléctricos o circuitos de conexión tierra	Utilizar cables de conexión blindados, aumentar la distancia hacia motores y líneas bajo tensión
	Bucles de tierra	Eliminación de los potenciales, utilización de barreras o transmisores aislados galvánicamente

ES

### 9. Mantenimiento, limpieza y recalibración



Para consultar los datos de contacto, ver capítulo 1 “Información general” o contraportada del manual de instrucciones.

#### 9.1 Mantenimiento

¡Los termómetros descritos aquí no requieren mantenimiento!  
Todas las reparaciones solamente las debe efectuar el fabricante.

#### 9.2 Limpieza



##### ¡CUIDADO!

##### **Lesiones corporales, daños materiales y del medio ambiente**

Una limpieza inadecuada puede provocar lesiones corporales, daños materiales y del medio ambiente. Medios residuales en el instrumento desmontado pueden causar riesgos para personas, medio ambiente e instalación.

► Realizar el proceso de limpieza tal como se describe a continuación.

1. Antes de limpiar desconectar el instrumento de la red.
2. Limpiar el instrumento con un trapo húmedo.
3. Asegurarse de que las conexiones eléctricas no se humedecen.



##### ¡CUIDADO!

##### **Daño al dispositivo**

¡Una limpieza inadecuada puede dañar el dispositivo!

- No utilizar productos de limpieza agresivos.
- No utilizar objetos duros o puntiagudos para limpiar.

4. Enjuagar y limpiar el dispositivo desmontado para proteger a las personas y el medio ambiente contra peligros por medios residuales adherentes.  
Medios residuales en el instrumento desmontado pueden causar riesgos para personas, medio ambiente e instalación. Tomar las medidas de precaución adecuadas.

#### 9.3 Calibración, recalibración

Se recomienda hacer recalibraciones de la unidad extraíble a intervalos periódicos (termorresistencias: aprox. 24 meses; termopares: aprox. 12 meses). Este período se acorta en función de las aplicaciones específicas. La calibración puede ser realizada por el fabricante o directamente in situ, con instrumentos de calibración manejados por personal técnico calificado.

Para la calibración, se retira la unidad de medida extraíble de la sonda. La longitud mínima (parte metálica de la sonda) para realizar una prueba de precisión de medición 3.1 o DAkkS es de 100 mm [3,94 in].

Calibraciones de longitudes menores, a petición.

## 10. Desmontaje, devolución y eliminación de residuos

### 10.1 Desmontaje



#### ¡ADVERTENCIA!

#### Lesiones corporales, daños materiales y del medio ambiente por medios residuales

En caso de contacto con medios peligrosos (p. ej. oxígeno, acetileno, inflamables o tóxicos) medios nocivos para la salud (p. ej. corrosivas, tóxicas, cancerígenas radioactivas) y con sistemas de refrigeración o compresores existe el peligro de lesiones corporales, daños materiales y del medio ambiente.

- ▶ Enjuagar y limpiar el dispositivo desmontado (tras servicio) antes de proceder a su almacenaje para proteger a las personas y el medio ambiente de la exposición a medios adherentes.
- ▶ Utilizar el equipo de protección necesario (en función de la aplicación correspondiente; el termómetro mismo en principio no es peligroso).
- ▶ Observar la ficha de datos de seguridad correspondiente al medio.

Desmontar la sonda solo en estado despresurizado.



#### ¡ADVERTENCIA!

#### Riesgo de quemaduras

Peligro debido a medios muy calientes que se escapan durante el desmontaje.

- ▶ ¡Dejar enfriar el instrumento lo suficiente antes de desmontarlo!

### 10.2 Devolución

#### Es imprescindible observar lo siguiente para el envío del instrumento:

Todos los instrumentos enviados a WIKA deben estar libres de sustancias peligrosas (ácidos, lejías, soluciones, etc.) y, por lo tanto, deben limpiarse antes de devolver.

Utilizar el embalaje original o un embalaje adecuado para la devolución del instrumento.

#### Para evitar daños:

1. Colocar el instrumento junto con el material aislante en el embalaje.  
Aislar uniformemente todos los lados del embalaje de transporte.
2. Si es posible, adjuntar una bolsa con secante.
3. Aplicar un marcaje que indique que se trata de un envío de un instrumento de medición altamente sensible.



Comentarios sobre el procedimiento de las devoluciones encuentra en el apartado "Servicio" en nuestra página web local.

### 10.3 Eliminación de residuos

Una eliminación incorrecta puede provocar peligros para el medio ambiente. Eliminar los componentes de los instrumentos y los materiales de embalaje conforme a los reglamentos relativos al tratamiento de residuos y eliminación vigentes en el país de utilización.



No eliminar en las basuras domésticas. Garantizar una eliminación correcta según las prescripciones nacionales.

ES

## 11. Datos técnicos

### Unidad de medida extraíble

<b>Versiones</b>	La unidad de medida extraíble tiene un encamisado resistente a vibraciones (cable MI)	
<b>Transferencia de calor óptima</b>	Requisito	<ul style="list-style-type: none"> <li>■ Longitud correcta de la unidad de medida extraíble</li> <li>■ Diámetro correcto de la unidad de medida extraíble</li> </ul>
	Diámetro de la vaina	Máx. 1 mm [0.04 in] más grande que el diámetro de la unidad de medida extraíble
	Anchura de la junta	Para una anchura de la junta > 0,5 mm [> 0.02 in] entre la vaina y la unidad de medida extraíble: → Perjudica la transferencia de calor → Mal funcionamiento de la sonda
<b>Longitud de montaje</b>	Para realizar el montaje en la vaina de barra es importante calcular la longitud de montaje correcta (= longitud de la vaina con espesor de fondo ≤ 5,5 mm [≤ 0.22 in]). Observar que la unidad de medida extraíble está dotada de resortes (alargamiento elástico del resorte: 0 ... 10 mm [0 ... 0.39 in]) para garantizar la compresión en el fondo de la vaina.	
<b>Trayecto del muelle</b>		
Placa con resorte	máx. 10 mm	
Resorte de cierre automático	máx. 20 mm	

### Condiciones de utilización

<b>Temperatura ambiente y de almacenamiento</b>	-40 ... +80 °C [-40 ... +176 °F]
<b>Resistencia a la vibración</b>	Las indicaciones relativas a la resistencia a la vibración se refiere a la punta de la unidad de medición extraíble. → Para consultar más detalles acerca de la resistencia a vibraciones de los sensores Pt100 véase la información técnica IN 00.17 en <a href="http://www.wika.es">www.wika.es</a> .
Estándar	6 g punta-punta, resistencia de hilo o de película delgada
Opción	<ul style="list-style-type: none"> <li>■ Punta de sensor a prueba de vibraciones, máx. 20 g, punta-punta, resistencia de película delgada</li> <li>■ Punta de sensor a prueba de altas vibraciones, máx. 50 g, punta-punta, resistencia de película delgada</li> </ul>



# 11. Datos técnicos

## Tipo de protección IP según IEC/EN 60529

Primera cifra	Grado de protección / breve descripción	Parámetros de prueba
<b>La primera cifra indica el grado de protección contra cuerpos sólidos extraños</b>		
5	Protección contra la penetración de polvo	Según IEC/EN 60529
6	Total estanqueidad al polvo	Según IEC/EN 60529
<b>La segunda cifra indica el grado de protección contra agua</b>		
4	Protección contra las proyecciones de agua	Según IEC/EN 60529
5	Protección contra los chorros de agua	Según IEC/EN 60529
6	Protección contra fuertes chorros de agua	Según IEC/EN 60529
7 <sup>1)</sup>	Protección contra los efectos de la inmersión temporal en agua	Según IEC/EN 60529
8 <sup>1)</sup>	Protección contra los efectos de la inmersión prolongada	Si así se acuerda

ES

1) Tipos de protección que describen la inmersión temporal o permanente, a petición

Tipo de protección estándar del modelo Tx10-0: IP65.

Los grados de protección indicados aplican bajo las siguientes condiciones:

- Utilizar una vaina adecuada (sin vaina adecuada: IP40)
- Usar un prensaestopa adecuado
- Utilice secciones de cable adecuadas para el prensaestopa o seleccione éste de acuerdo al cable existente
- Tener en cuenta los pares de apriete para todos los prensaestopas

### 11.1 Modelo TR10-0

Elemento sensible		
Tipo de elemento sensible	Pt100, Pt1000 <sup>1)</sup>	
Corriente de medición	0,1 ... 1,0 mA	
Desviación de los límites de la clase de exactitud según EN 60751		
Clase B	Hilo bobinado	-196 ... +600 °C [-321 ... +1.112 °F]
	Película delgada	-50 ... +500 °C [-58 ... +932 °F]
Clase A <sup>2)</sup>	Hilo bobinado	-100 ... +450 °C [-148 ... +842 °F]
	Película delgada	-30 ... +300 °C [-22 ... +572 °F]
Clase AA <sup>2)</sup>	Hilo bobinado	-50 ... +250 °C [-58 ... +482 °F]
	Película delgada	0 ... 150 °C [-32 ... +302 °F]

1) Pt1000 disponible solamente como termorresistencia de película delgada

2) No con conexionado de 2 hilos

Para consultar más datos técnicos, veáse la hoja técnica de WIKA TE 61.01 y la documentación del pedido.

# 11. Datos técnicos

## 11.2 Modelo TC10-0

### Elemento sensible

**Tipo de elemento sensible** Termopar según IEC 60584-1 o ASTM E230 Modelos K, J, E, N, T

**Corriente de medición**

- Soldado sin conexión a tierra (estándar)
- Soldado con el fondo (grounded)

### Límites de validez de la precisión según la norma EN 60584-1

Tipo K	Clase 2	-40 ... +1.200 °C [-40 ... +2.192 °F]
	Clase 1	-40 ... +1.000 °C [-40 ... +1.832 °F]
Tipo J	Clase 2	-40 ... +750 °C [-40 ... +1.382 °F]
	Clase 1	-40 ... +750 °C [-40 ... +1.382 °F]
Tipo E	Clase 2	-40 ... +900 °C [-40 ... +1.652 °F]
	Clase 1	-40 ... +800 °C [-40 ... +1.472 °F]
Tipo N	Clase 2	-40 ... +1.200 °C [-40 ... +2.192 °F]
	Clase 1	-40 ... +1.000 °C [-40 ... +1.832 °F]
Tipo T	Clase 2	-40 ... +350 °C [-40 ... +662 °F]
	Clase 1	-40 ... +350 °C [-40 ... +662 °F]

### Desviación de los límites de la clase de exactitud según ASTM-E230

Tipo K	Estándar	0 ... 1.260 °C [32 ... 2.300 °F]
	Especial	0 ... 1.260 °C [32 ... 2.300 °F]
Tipo J	Estándar	0 ... 760 °C [32 ... 1.400 °F]
	Especial	0 ... 760 °C [32 ... 1.400 °F]
Tipo E	Estándar	0 ... 870 °C [32 ... 1.598 °F]
	Especial	0 ... 870 °C [32 ... 1.598 °F]
Tipo N	Estándar	0 ... 1.260 °C [32 ... 2.300 °F]
	Especial	0 ... 1.260 °C [32 ... 2.300 °F]
Tipo T	Estándar	0 ... 370 °C [32 ... 698 °F]
	Especial	0 ... 370 °C [32 ... 698 °F]

Para consultar más datos técnicos, veáse la hoja técnica de WIKA TE 66.01 y la documentación del pedido.



