

Differential pressure gauges, models A2G-10, A2G-15

EN

Differenzdruckmanometer, Typen A2G-10, A2G-15

DE

Manomètres différentiels, types A2G-10, A2G-15

FR

Manometri differenziali, modelli A2G-10, A2G-15

IT

air2guide



Fig. left: Model A2G-10

Fig. right: Model A2G-15 with output signal

EN	Operating instructions models A2G-10, A2G-15	Page	3 - 16
DE	Betriebsanleitung Typen A2G-10, A2G-15	Seite	17 - 30
FR	Mode d'emploi types A2G-10, A2G-15	Page	31 - 44
IT	Manuale d'uso modelli A2G-10, A2G-15	Pagina	45 - 58

© 05/2010 WIKA Alexander Wiegand SE & Co. KG
All rights reserved. / Alle Rechte vorbehalten.
WIKA® is a registered trademark in various countries.
WIKA® ist eine geschützte Marke in verschiedenen Ländern.

Prior to starting any work, read the operating instructions!
Keep for later use!

Vor Beginn aller Arbeiten Betriebsanleitung lesen!
Zum späteren Gebrauch aufbewahren!

Lire le mode d'emploi avant de commencer toute opération !
A conserver pour une utilisation ultérieure !

Prima di iniziare ad utilizzare lo strumento, leggere il manuale d'uso!
Conservare per future consultazioni!

Contents

1. General information	4
2. Design and function	5
3. Safety	6
4. Transport, packaging and storage	8
5. Commissioning, operation	8
6. Maintenance and cleaning	12
7. Dismounting, return and disposal	13
8. Specifications	14
9. Accessories	16

1. General information

- The differential pressure gauge described in the operating instructions has been designed and manufactured using state-of-the-art technology. All components are subject to stringent quality and environmental criteria during production. Our management systems are certified to ISO 9001 and ISO 14001.
- These operating instructions contain important information on handling the instrument. Working safely requires that all safety instructions and work instructions are observed.
- Observe the relevant local accident prevention regulations and general safety regulations for the instrument's range of use.
- The operating instructions are part of the product and must be kept in the immediate vicinity of the instrument and readily accessible to skilled personnel at any time. Pass the operating instructions on to the next operator or owner of the instrument.
- Skilled personnel must have carefully read and understood the operating instructions prior to beginning any work.
- The general terms and conditions contained in the sales documentation shall apply.
- Subject to technical modifications.
- Further information:
 - Internet address: www.wika.de / www.wika.com
 - Relevant data sheet: PM 07.40 and PV 17.40
 - Application consultant: Tel.: +49 9372 132-0
Fax: +49 9372 132-406
info@wika.de

2. Design and function

2.1 Overview

Model A2G-10

Model A2G-15,
with electrical output signal



- ① Pressure measuring system
- ② Threaded bezel
- ③ Built-in case
- ④ Add-on case
- ⑤ Cable gland

2.2 Description

The model A2G-10 and A2G-15 differential pressure gauges are used for monitoring the differential pressure in ventilation and air-conditioning applications. The measuring ranges cover from 0 ... 100 Pa to 0 ... 6,000 Pa. Plus/minus ranges can be fulfilled from -50 ... +50 Pa to -1,500 ... +1,500 Pa.

Electrical output signals of the model A2G-15 for both measurands (DC 0 ... 10 V or 4 ... 20 mA) enable the direct connection to control systems or the building automation system.

2.3 Scope of delivery

- Differential pressure gauge
- Case (built-in or add-on)
- Threaded pressure connection

Cross-check scope of delivery with delivery note.

3. Safety

3.1 Explanation of symbols

EN



WARNING!

... indicates a potentially dangerous situation that can result in serious injury or death, if not avoided.



CAUTION!

... indicates a potentially dangerous situation that can result in light injuries or damage to property or the environment, if not avoided.



DANGER!

... identifies hazards caused by electrical power. Should the safety instructions not be observed, there is a risk of serious or fatal injury.



WARNING!

... indicates a potentially dangerous situation that can result in burns, caused by hot surfaces or liquids, if not avoided.



Information

... points out useful tips, recommendations and information for efficient and trouble-free operation.

3.2 Intended use

This pressure gauge is designed for measuring very low pressures in dry, clean, non-aggressive gases, primarily air.

The technical specifications contained in these operating instructions must be observed. Improper handling or operation of the instrument outside of its technical specifications requires the instrument to be taken out of service immediately and inspected by an authorised WIKA service engineer.

The instrument has been designed and built solely for the intended use described here, and may only be used accordingly.

The manufacturer shall not be liable for claims of any type based on operation contrary to the intended use.

3.3 Improper use



WARNING!

Injuries through improper use

Improper use of the instrument can lead to hazardous situations and injuries.

- ▶ Refrain from unauthorised modifications to the instrument.
- ▶ Do not use the instrument within hazardous areas.

Any use beyond or different to the intended use is considered as improper use.

3.4 Personnel qualification



WARNING!

Risk of injury should qualification be insufficient

Improper handling can result in considerable injury and damage to property.

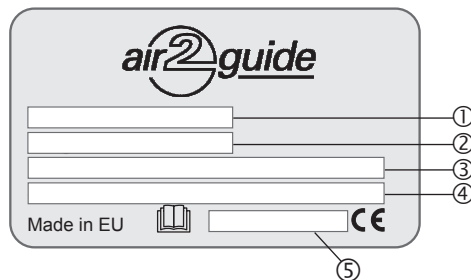
- ▶ The activities described in these operating instructions may only be carried out by skilled personnel who have the qualifications described below.

Skilled personnel

Skilled personnel, authorised by the operator, are understood to be personnel who, based on their technical training, knowledge of measurement and control technology and on their experience and knowledge of country-specific regulations, current standards and directives, are capable of carrying out the work described and independently recognising potential hazards.

3.5 Labelling, safety marks

Product label (example)



- | | |
|-------------------|------------------|
| ① Model | ④ Supply voltage |
| ② Measuring range | ⑤ Serial number |
| ③ Output signal | |



Before mounting and commissioning the instrument, ensure you read the operating instructions!

4. Transport, packaging and storage

4.1 Transport

Check the instrument for any damage that may have been caused by transport.

Obvious damage must be reported immediately.



CAUTION!

Damage through improper transport

With improper transport, a high level of damage to property can occur.

- ▶ When unloading packed goods upon delivery as well as during internal transport, proceed carefully and observe the symbols on the packaging.
- ▶ With internal transport, observe the instructions in chapter 4.2 “Packaging and storage”.

4.2 Packaging and storage

Do not remove packaging until just before mounting.

Keep the packaging as it will provide optimum protection during transport (e.g. change in installation site, sending for repair).

Permissible conditions at the place of storage:

- Storage temperature: 0 ... 70 °C
- Humidity: 35 ... 85 % relative humidity (no condensation)

5. Commissioning, operation

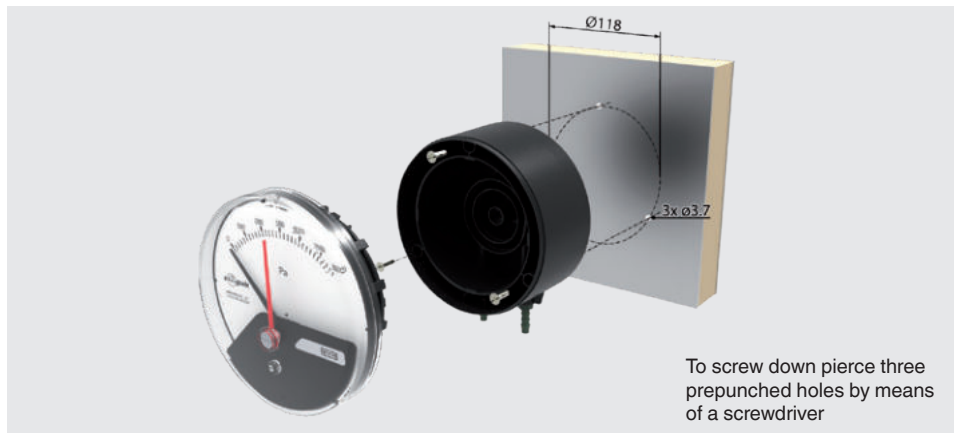
5.1 Installation and mechanical connection

In accordance with the general technical regulations for pressure measuring instruments (e.g. EN 837-2 “Selection and installation recommendations for pressure gauges”).

air2guide standard gauges are calibrated in vertical position and should be installed in the same position to avoid loss of class accuracy. If a different installation position is required for air2guide instruments, please specify when ordering. Instruments with high measuring ranges can be installed in a different, non-vertical mounting position by simply adjusting the zero point.

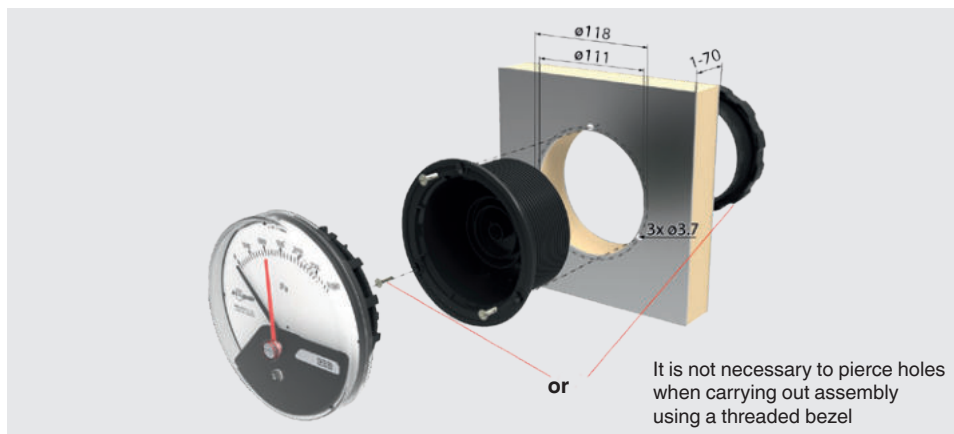
5. Commissioning, operation

Wall mounting, lower mount



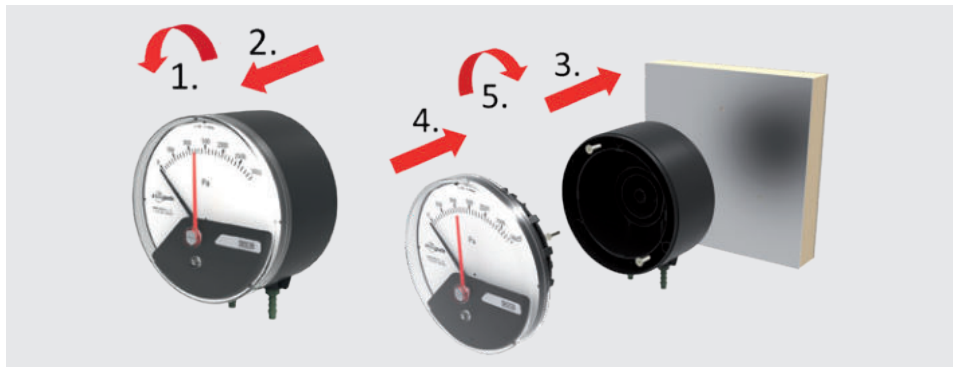
EN

Panel mounting, back mount



5. Commissioning, operation

Detailed mounting steps for wall mounting



Detailed mounting steps for panel mounting



After fitting the measuring element into the case it can be moved in a clockwise and counterclockwise direction respectively for 15 angular degrees in order to ensure precise horizontal positioning of the instrument.

5. Commissioning, operation

5.2 Commissioning

- During the commissioning process pressure surges must be avoided at all costs.
- Protect pressure gauges from contamination, high temperature changes and vibrations.
- Use the pressure gauge only if the diaphragm is undamaged and if it is in perfect condition with regard to safety.
- Mounting of the pressure connection according to affixed symbols:
 - ⊕ high pressure
 - ⊖ low pressure

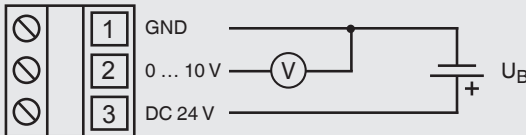
EN

5.3 Output signal, model A2G-15

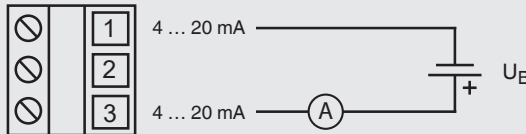
Output signal, model A2G-15

Supply voltage U_B	DC 15 ... 35 V
Measurement accuracy of sensor	$\pm 3\%$ of end value of measuring range
Electrical connection	M12 cable gland with screw terminals

DC 0 ... 10 V, 3-wire



4 ... 20 mA, 2-wire



5.4 Zero point setting

In general, the zero point should only be checked and adjusted after the system has been depressurised.

Mechanical and electrical zero point

If there is a deviation from the zero point (in depressurised condition), a zero point correction can be carried out via the zero point setting (screw). The mechanical as well as the electrical zero point can be adjusted simultaneously by turning the zero point screw (at the front side of the instrument).

6. Maintenance and cleaning

EN



For contact details see chapter 1 “General information” or the back page of the operating instructions.

6.1 Maintenance

This instrument is maintenance-free.

Repairs must only be carried out by the manufacturer or appropriately qualified skilled personnel.

6.2 Cleaning



CAUTION!

Physical injuries and damage to property and the environment

Improper cleaning may lead to physical injuries and damage to property and the environment. Residual media in the dismantled instrument can result in a risk to persons, the environment and equipment.

▶ Carry out the cleaning process as described below.

1. Before cleaning, correctly disconnect the instrument from the pressure supply, switch it off and disconnect it from the mains.
2. Use the requisite protective equipment.
3. Clean the instrument with a moist cloth.

Electrical connections must not come into contact with moisture!



CAUTION!

Damage to the instrument

Improper cleaning may lead to damage to the instrument!

- ▶ Do not use any aggressive cleaning agents.
- ▶ Do not use any hard or pointed objects for cleaning.

4. Wash or clean the dismantled instrument, in order to protect persons and the environment from exposure to residual media.

7. Dismounting, return and disposal

7.1 Dismounting



WARNING!

Physical injuries and damage to property and the environment through residual media

Upon contact with hazardous media (e.g. oxygen, acetylene, flammable or toxic substances), harmful media (e.g. corrosive, toxic, carcinogenic, radioactive), and also with refrigeration plants and compressors, there is a danger of physical injuries and damage to property and the environment.

- ▶ Before storage of the dismantled instrument (following use) wash or clean it, in order to protect persons and the environment from exposure to residual media.
- ▶ Observe the information in the material safety data sheet for the corresponding medium.

7.2 Return

Strictly observe the following when shipping the instrument:

All instruments delivered to WIKA must be free from any kind of hazardous substances (acids, bases, solutions, etc.) and must therefore be cleaned before being returned.



WARNING!

Physical injuries and damage to property and the environment through residual media

Residual media in the dismantled differential pressure gauge can result in a risk to persons, the environment and equipment.

7.3 Disposal

Incorrect disposal can put the environment at risk.

Dispose of instrument components and packaging materials in an environmentally compatible way and in accordance with the country-specific waste disposal regulations.



Do not dispose of with household waste. Ensure a proper disposal in accordance with national regulations.

8. Specifications

8. Specifications

Differential pressure gauge, models A2G-10 and A2G-15

EN

Version	<ul style="list-style-type: none"> ■ Standard version ■ Silicone-free version 	
Nominal size in mm	110	
Measuring range	<ul style="list-style-type: none"> ■ 0 ... 100 Pa to 0 ... 6,000 Pa ■ -50 ... +50 Pa to -1,500 ... +1,500 Pa Other plus/minus ranges on request	
Unit	<ul style="list-style-type: none"> ■ Pa ■ kPa ■ inWC ■ mmWC ■ mbar 	
Scale	<ul style="list-style-type: none"> ■ Single scale ■ Dual scale 	
Accuracy class		
Span \geq 250 Pa	3.0	
Span 101 ... 249 Pa	5.0	
Span \leq 100 Pa	10.0	
Process connection	G $\frac{1}{8}$ female Threaded pressure connection for measuring hoses with inner diameter 4 ... 6 mm (see "Accessories")	
Movement	Contact-free transmission (SWISS MOVEMENT)	
Materials		
Case components	Plastic, glass-fibre reinforced	
Separating diaphragm	<ul style="list-style-type: none"> ■ Silicone ■ EPDM (with silicone-free version) 	
Window	Polycarbonate (UV stabilised)	
Dial	Aluminium	
Pointer	Plastic, black	
Mark pointer	<ul style="list-style-type: none"> ■ Without ■ Plastic, red 	
Medium	<ul style="list-style-type: none"> ■ Air ■ Non-flammable and non-aggressive gases 	
Permissible temperature		
Medium	Model A2G-10	-20 ... +50 °C [-4 ... +122 °F]
	Model A2G-15	-16 ... +50 °C [-3 ... +122 °F]
Ambient	-30 ... +80 °C [-22 ... +176 °F]	

40197310.05 02/2021 EN/DE/FR/IT

8. Specifications

Differential pressure gauge, models A2G-10 and A2G-15

Max. working pressure (static pressure)	20 kPa
Ingress protection per IEC/EN 60529	■ IP54 ■ IP65
Weight (pressure measuring system)	
Model A2G-10	235 g
Model A2G-15	255 g

EN

9. Accessories

9. Accessories

EN

Description		Order number
Process connections		
	Threaded pressure connection, straight, Ø 4 ... 6 mm	40423607
	Threaded pressure connection, angled, Ø 4 ... 6 mm	40423526
	With mounting thread G 1/8 for pipes 6.35 mm [1/4"]	40232867
	Combi hose connection for pressure measuring hoses Ø 4 ... 7 mm	40232484
	Static duct probes with combi hose connection for pressure measuring hoses Ø 4 ... 7 mm	
	Insertion length 100 mm	40232981
	Insertion length 150 mm	40232999
Insertion length 200 mm	40233006	
	Measuring hoses	
	PVC hose, inner diameter 4 mm, roll at 25 m	40217841
	PVC hose, inner diameter 6 mm, roll at 25 m	40217850
	Silicone hose, inner diameter 4 mm, roll at 25 m	40208940
Silicone hose, inner diameter 6 mm, roll at 25 m	40208958	
	Duct connectors for measuring hoses Ø 4 ... 6 mm	40217507
	Weather protection	40241564

40197310.05 02/2021 EN/DE/FR/IT

Inhalt

1. Allgemeines	18
2. Aufbau und Funktion	19
3. Sicherheit	20
4. Transport, Verpackung und Lagerung	22
5. Inbetriebnahme, Betrieb	22
6. Wartung und Reinigung	26
7. Demontage, Rücksendung und Entsorgung	27
8. Technische Daten	28
9. Zubehör	30

1. Allgemeines

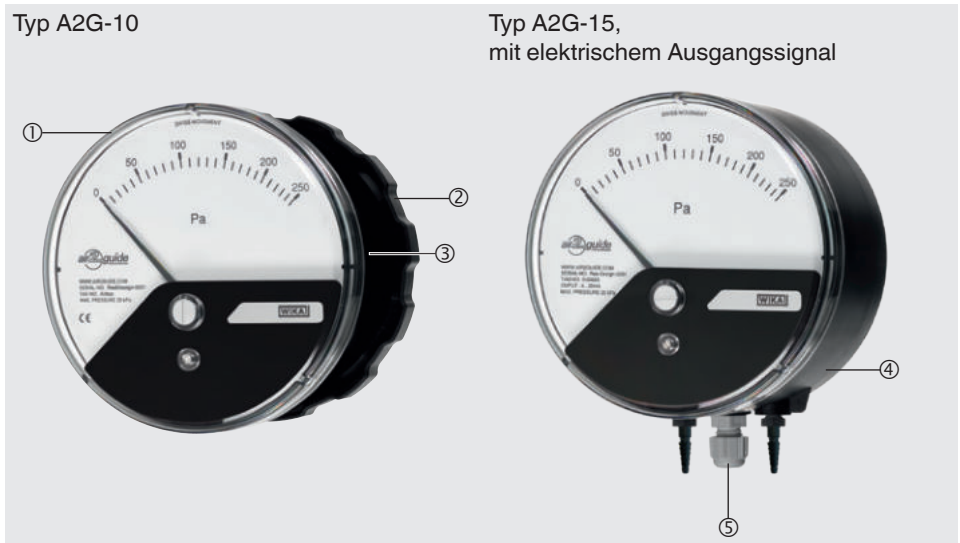
- Das in der Betriebsanleitung beschriebene Differenzdruckmanometer wird nach dem aktuellen Stand der Technik konstruiert und gefertigt. Alle Komponenten unterliegen während der Fertigung strengen Qualitäts- und Umweltkriterien. Unsere Managementsysteme sind nach ISO 9001 und ISO 14001 zertifiziert.
- Diese Betriebsanleitung gibt wichtige Hinweise zum Umgang mit dem Gerät. Voraussetzung für sicheres Arbeiten ist die Einhaltung aller angegebenen Sicherheitshinweise und Handlungsanweisungen.
- Die für den Einsatzbereich des Gerätes geltenden örtlichen Unfallverhütungsvorschriften und allgemeinen Sicherheitsbestimmungen einhalten.
- Die Betriebsanleitung ist Produktbestandteil und muss in unmittelbarer Nähe des Gerätes für das Fachpersonal jederzeit zugänglich aufbewahrt werden. Betriebsanleitung an nachfolgende Benutzer oder Besitzer des Gerätes weitergeben.
- Das Fachpersonal muss die Betriebsanleitung vor Beginn aller Arbeiten sorgfältig durchgelesen und verstanden haben.
- Es gelten die allgemeinen Geschäftsbedingungen in den Verkaufsunterlagen.
- Technische Änderungen vorbehalten.
- Weitere Informationen:
 - Internet-Adresse: www.wika.de / www.wika.com
 - Zugehöriges Datenblatt: PM 07.40 und PV 17.40
 - Anwendungsberater: Tel.: +49 9372 132-0
Fax: +49 9372 132-406
info@wika.de

2. Aufbau und Funktion

2.1 Überblick

Typ A2G-10

Typ A2G-15,
mit elektrischem Ausgangssignal



- ① Druckmesssystem
- ② Schraubring
- ③ Einbaugehäuse
- ④ Aufbaugehäuse
- ⑤ Kabelverschraubung

2.2 Beschreibung

Die Differenzdruckmanometer Typen A2G-10 und A2G-15 werden zur Überwachung des Differenzdruckes in der Luft- und Klimatechnik verwendet. Die Messbereiche reichen von 0 ... 100 Pa bis zu 0 ... 6.000 Pa. Plus-/Minusbereiche können von -50 ... +50 Pa bis -1.500 ... +1.500 Pa erfüllt werden.

Elektrische Ausgangssignale des Typ A2G-15 für beide Messgrößen (DC 0 ... 10 V oder 4 ... 20 mA) erlauben den direkten Anschluss an Steuer-/Regelsysteme oder die Gebäudeautomation.

2.3 Lieferumfang

- Differenzdruckmanometer
- Gehäuse (für den Ein- oder Aufbau)
- Einschraubstutzen

Lieferumfang mit dem Lieferschein abgleichen.

3. Sicherheit

3.1 Symbolerklärung

DE



WARNUNG!

... weist auf eine möglicherweise gefährliche Situation hin, die zum Tod oder zu schweren Verletzungen führen kann, wenn sie nicht gemieden wird.



VORSICHT!

... weist auf eine möglicherweise gefährliche Situation hin, die zu geringfügigen oder leichten Verletzungen bzw. Sach- und Umweltschäden führen kann, wenn sie nicht gemieden wird.



GEFAHR!

... kennzeichnet Gefährdungen durch elektrischen Strom. Bei Nichtbeachtung der Sicherheitshinweise besteht die Gefahr schwerer oder tödlicher Verletzungen.



WARNUNG!

... weist auf eine möglicherweise gefährliche Situation hin, die durch heiße Oberflächen oder Flüssigkeiten zu Verbrennungen führen kann, wenn sie nicht gemieden wird.



Information

... hebt nützliche Tipps und Empfehlungen sowie Informationen für einen effizienten und störungsfreien Betrieb hervor.

3.2 Bestimmungsgemäße Verwendung

Dieses Manometer dient zum Messen von sehr niedrigen Drücken bei trockenen, sauberen, nicht aggressiven Gasen, hauptsächlich Luft.

Die technischen Spezifikationen in dieser Betriebsanleitung sind einzuhalten. Eine unsachgemäße Handhabung oder ein Betreiben des Gerätes außerhalb der technischen Spezifikationen macht die sofortige Stilllegung und Überprüfung durch einen autorisierten WIKA-Servicemitarbeiter erforderlich.

Das Gerät ist ausschließlich für den hier beschriebenen bestimmungsgemäßen Verwendungszweck konzipiert und konstruiert und darf nur dementsprechend verwendet werden.

Ansprüche jeglicher Art aufgrund von nicht bestimmungsgemäßer Verwendung sind ausgeschlossen.

3.3 Fehlgebrauch



WARNUNG!

Verletzungen durch Fehlgebrauch

Fehlgebrauch des Gerätes kann zu gefährlichen Situationen und Verletzungen führen.

- ▶ Eigenmächtige Umbauten am Gerät unterlassen.
- ▶ Gerät nicht in explosionsgefährdeten Bereichen einsetzen.

DE

Jede über die bestimmungsgemäße Verwendung hinausgehende oder andersartige Benutzung gilt als Fehlgebrauch.

3.4 Personalqualifikation



WARNUNG!

Verletzungsgefahr bei unzureichender Qualifikation

Unschlagmäßiger Umgang kann zu erheblichen Personen- und Sachschäden führen.

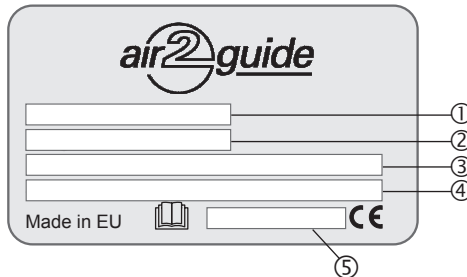
- ▶ Die in dieser Betriebsanleitung beschriebenen Tätigkeiten nur durch Fachpersonal nachfolgend beschriebener Qualifikation durchführen lassen.

Fachpersonal

Das vom Betreiber autorisierte Fachpersonal ist aufgrund seiner fachlichen Ausbildung, seiner Kenntnisse der Mess- und Regelungstechnik und seiner Erfahrungen sowie Kenntnis der landesspezifischen Vorschriften, geltenden Normen und Richtlinien in der Lage, die beschriebenen Arbeiten auszuführen und mögliche Gefahren selbstständig zu erkennen.

3.5 Beschilderung, Sicherheitskennzeichnungen

Typenschild (Beispiel)



- ① Typ
- ② Messbereich
- ③ Ausgangssignal
- ④ Hilfsenergie
- ⑤ Seriennummer



Vor Montage und Inbetriebnahme des Gerätes unbedingt die Betriebsanleitung lesen!

4. Transport, Verpackung und Lagerung

4.1 Transport

Differenzdruckmanometer auf eventuell vorhandene Transportschäden untersuchen. Offensichtliche Schäden unverzüglich mitteilen.

DE



VORSICHT!

Beschädigungen durch unsachgemäßen Transport

Bei unsachgemäßem Transport können Sachschäden in erheblicher Höhe entstehen.

- ▶ Beim Abladen der Packstücke bei Anlieferung sowie innerbetrieblichem Transport vorsichtig vorgehen und die Symbole auf der Verpackung beachten.
- ▶ Bei innerbetrieblichem Transport die Hinweise unter Kapitel 4.2 „Verpackung und Lagerung“ beachten.

4.2 Verpackung und Lagerung

Verpackung erst unmittelbar vor der Montage entfernen.

Die Verpackung aufbewahren, denn diese bietet bei einem Transport einen optimalen Schutz (z. B. wechselnder Einbauort, Reparatursendung).

Zulässige Bedingungen am Lagerort:

- Lagertemperatur: 0 ... 70 °C
- Feuchtigkeit: 35 ... 85 % relative Feuchte (keine Betauung)

5. Inbetriebnahme, Betrieb

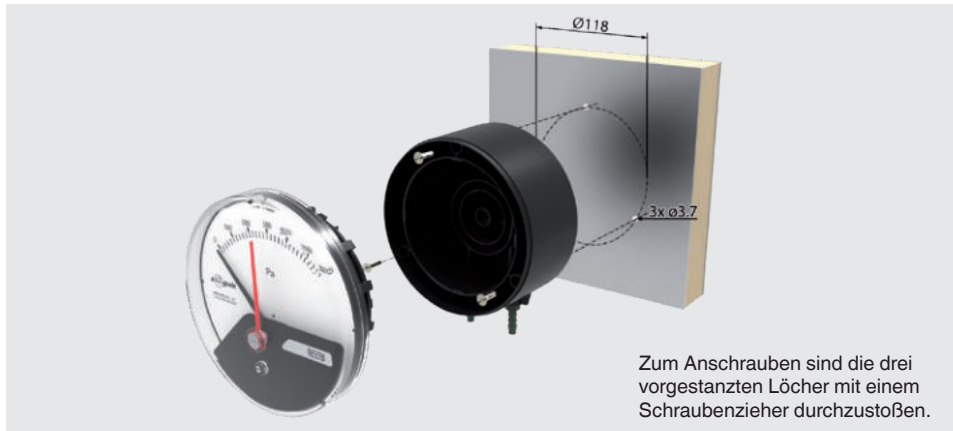
5.1 Installation und mechanischer Anschluss

Entsprechend den allgemeinen technischen Regeln für Manometer (z. B. EN 837-2 „Auswahl- und Einbauempfehlungen für Druckmessgeräte“).

Die air2guide-Standardgeräte sind in vertikaler Lage der Membrane justiert und sollten deshalb auch so montiert werden um die Klassengenauigkeit einzuhalten. Wenn air2guide-Geräte in einer anderen Position montiert werden müssen, sollte dies im Bestellungsprozess spezifiziert werden. Höhere Messbereiche können durch Verstellung der Nullpunkt-korrektur in anderer Position als vertikal eingesetzt werden.

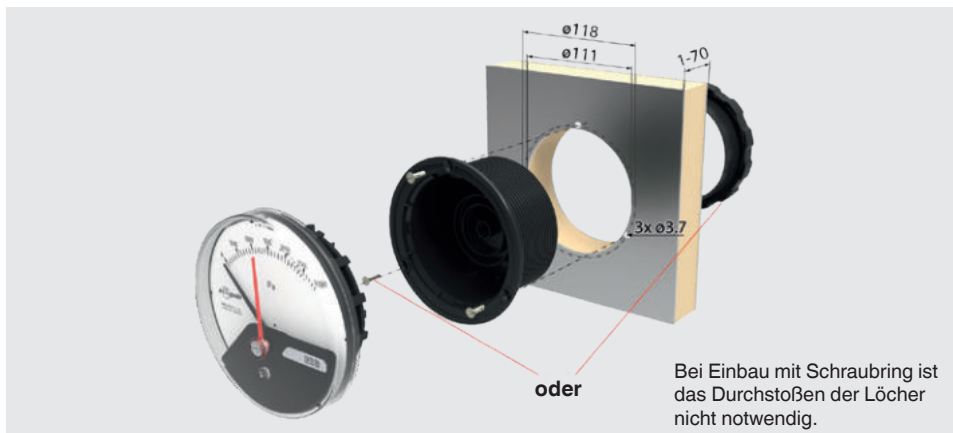
5. Inbetriebnahme, Betrieb

Wandmontage, Anschlusslage unten



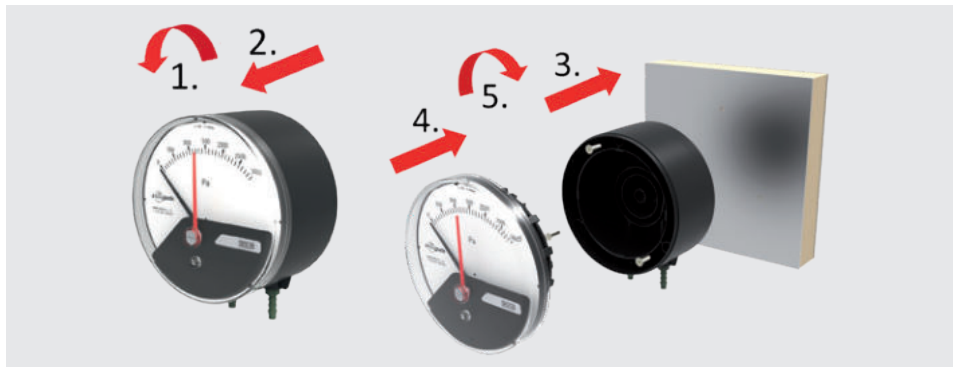
DE

Tafeleinbau, Anschlusslage rückseitig



5. Inbetriebnahme, Betrieb

Detaillierte Montageschritte der Wandmontage



Detaillierte Montageschritte für den Tafelbau



Nach dem Einsetzen des Messelementes in das Gehäuse kann das Messelement im Uhrzeiger- und Gegenuhrzeigersinn jeweils 15 Winkelgrade verstellt werden um eine exakte waagrechte Positionierung des Gerätes zu gewährleisten.

5. Inbetriebnahme, Betrieb

5.2 Inbetriebnahme

- Bei Inbetriebnahme Druckstöße unbedingt vermeiden.
- Manometer vor Verschmutzung sowie starken Temperaturschwankungen und Vibrationen schützen.
- Das Manometer nur einsetzen, wenn die Membrane unbeschädigt und in sicherheitstechnisch einwandfreiem Zustand ist.
- Montage des Druckanschlusses nach angebrachten Symbolen:
 - ⊕ hoher Druck
 - ⊖ niedriger Druck

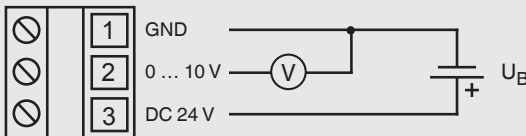
DE

5.3 Ausgangssignal, Typ A2G-15

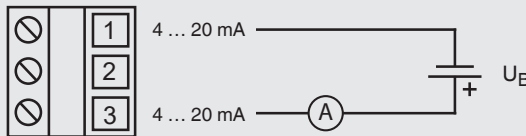
Ausgangssignal, Typ A2G-15

Hilfsenergie U_B	DC 15 ... 35 V
Messgenauigkeit Sensor	$\pm 3\%$ vom Messbereichsendwert
Elektrischer Anschluss	M12 Kabelverschraubung mit Schraubklemmen

DC 0 ... 10 V, 3-Leiter



4 ... 20 mA, 2-Leiter



5.4 Nullpunkteinstellung

Im Allgemeinen erfolgt die Überprüfung und Einstellung des Nullpunktes im drucklosen Zustand.

Mechanischer und elektrischer Nullpunkt

Bei Abweichung des Zeigers vom Nullpunkt (im drucklosen Zustand) kann eine Nullpunkt-korrektur über die Nullpunkteinstellung (Schraube) erfolgen. Der mechanische und elektrische Nullpunkt werden durch Drehen der Nullpunktschraube (an der Frontseite des Gerätes) gleichzeitig eingestellt.

6. Wartung und Reinigung



Kontakt Daten siehe Kapitel 1 „Allgemeines“ oder Rückseite der Betriebsanleitung.

DE

6.1 Wartung

Dieses Gerät ist wartungsfrei.

Reparaturen sind ausschließlich vom Hersteller oder entsprechend qualifiziertem Fachpersonal durchzuführen.

6.2 Reinigung



VORSICHT!

Körperverletzungen, Sach- und Umweltschäden

Eine unsachgemäße Reinigung führt zu Körperverletzungen, Sach- und Umweltschäden. Messstoffreste im ausgebauten Gerät können zur Gefährdung von Personen, Umwelt und Einrichtung führen.

- ▶ Reinigungsvorgang wie folgt beschrieben durchführen.

1. Vor der Reinigung das Gerät ordnungsgemäß von der Druckversorgung trennen, ausschalten und vom Netz trennen.
2. Notwendige Schutzausrüstung verwenden.
3. Das Gerät mit einem feuchten Tuch reinigen.
Elektrische Anschlüsse nicht mit Feuchtigkeit in Berührung bringen!



VORSICHT!

Beschädigung des Gerätes

Eine unsachgemäße Reinigung führt zur Beschädigung des Gerätes!

- ▶ Keine aggressiven Reinigungsmittel verwenden.
- ▶ Keine harten und spitzen Gegenstände zur Reinigung verwenden.

4. Ausgebautes Gerät spülen bzw. säubern, um Personen und Umwelt vor Gefährdung durch anhaftende Messstoffreste zu schützen.

7. Demontage, Rücksendung und Entsorgung

7.1 Demontage



WARNUNG!

Körperverletzungen, Sach- und Umweltschäden durch Messstoffreste

Bei Kontakt mit gefährlichen Messstoffen (z. B. Sauerstoff, Acetylen, brennbaren oder giftigen Stoffen), gesundheitsgefährdenden Messstoffen (z. B. ätzend, giftig, krebserregend, radioaktiv) sowie bei Kälteanlagen, Kompressoren besteht die Gefahr von Körperverletzungen, Sach- und Umweltschäden.

- ▶ Vor der Einlagerung das ausgebaute Gerät (nach Betrieb) spülen bzw. säubern, um Personen und Umwelt vor Gefährdung durch anhaftende Messstoffreste zu schützen.
- ▶ Angaben im Sicherheitsdatenblatt für den entsprechenden Messstoff beachten.

7.2 Rücksendung

Beim Versand des Gerätes unbedingt beachten:

Alle an WIKA gelieferten Geräte müssen frei von Gefahrstoffen (Säuren, Laugen, Lösungen, etc.) sein und sind daher vor der Rücksendung zu reinigen.



WARNUNG!

Körperverletzungen, Sach- und Umweltschäden durch Messstoffreste

Messstoffreste im ausgebauten Differenzdruckmanometer können zur Gefährdung von Personen, Umwelt und Einrichtung führen.

7.3 Entsorgung

Durch falsche Entsorgung können Gefahren für die Umwelt entstehen.

Gerätekomponenten und Verpackungsmaterialien entsprechend den landesspezifischen Abfallbehandlungs- und Entsorgungsvorschriften umweltgerecht entsorgen.



Nicht mit dem Hausmüll entsorgen. Für eine geordnete Entsorgung gemäß nationaler Vorgaben sorgen.

8. Technische Daten

Differenzdruckmanometer, Typen A2G-10 und A2G-15

Ausführung	<ul style="list-style-type: none"> ■ Standardausführung ■ Silikonfreie Ausführung 	
Nenngröße in mm	110	
Messbereich	<ul style="list-style-type: none"> ■ 0 ... 100 Pa bis 0 ... 6.000 Pa ■ -50 ... +50 Pa bis -1.500 ... +1.500 Pa Andere Plus-/Minusbereiche auf Anfrage 	
Einheit	<ul style="list-style-type: none"> ■ Pa ■ kPa ■ inWC ■ mmWC ■ mbar 	
Skale	<ul style="list-style-type: none"> ■ Einfachskale ■ Doppelskale 	
Genauigkeitsklasse		
Spanne \geq 250 Pa	3,0	
Spanne 101 ... 249 Pa	5,0	
Spanne \leq 100 Pa	10,0	
Prozessanschluss	Innengewinde G $\frac{1}{8}$ Einschraubstutzen für Messschläuche mit Innendurchmesser 4 ... 6 mm (siehe „Zubehör“)	
Messwerk	Berührungslose Übertragung (SWISS MOVEMENT)	
Werkstoffe		
Gehäuseteile	Kunststoff, glasfaserverstärkt	
Trennmembrane	<ul style="list-style-type: none"> ■ Silikon ■ EPDM (bei silikonfreier Ausführung) 	
Sichtscheibe	Polycarbonat (UV-stabilisiert)	
Zifferblatt	Aluminium	
Zeiger	Kunststoff, schwarz	
Markenzeiger	<ul style="list-style-type: none"> ■ Ohne ■ Kunststoff, rot 	
Messstoff	<ul style="list-style-type: none"> ■ Luft ■ Nicht brennbare und nicht aggressive Gase 	
Zulässige Temperatur		
Messstoff	Typ A2G-10	-20 ... +50 °C [-4 ... +122 °F]
	Typ A2G-15	-16 ... +50 °C [-3 ... +122 °F]
Umgebung	-30 ... +80 °C [-22 ... +176 °F]	

8. Technische Daten

Differenzdruckmanometer, Typen A2G-10 und A2G-15

Max. Betriebsdruck (statischer Druck)	20 kPa
Schutzart nach IEC/EN 60529	■ IP54 ■ IP65
Gewicht (Druckmesssystem)	
Typ A2G-10	235 g
Typ A2G-15	255 g

DE

9. Zubehör

DE

Beschreibung		Bestellnummer
Prozessanschlüsse		
	Einschraubstutzen, gerade, Ø 4 ... 6 mm	40423607
	Einschraubstutzen, gewinkelt, Ø 4 ... 6 mm	40423526
	Mit Einschraubgewinde G 1/8 für Rohre 6,35 mm [1/4"]	40232867
	Kombi-Schlauchanschluss für Druckmessschläuche Ø 4 ... 7 mm	40232484
	Statische Kanalsonden mit Kombi-Schlauchanschluss für Druckmessschläuche Ø 4 ... 7 mm	
	Einbaulänge 100 mm	40232981
	Einbaulänge 150 mm	40232999
	Einbaulänge 200 mm	40233006
	Messschläuche	
	PVC-Schlauch, Innendurchmesser 4 mm, Rolle à 25 m	40217841
	PVC-Schlauch, Innendurchmesser 6 mm, Rolle à 25 m	40217850
	Silikonschlauch, Innendurchmesser 4 mm, Rolle à 25 m	40208940
	Kanalanschlussnippel für Messschläuche Ø 4 ... 6 mm	40217507
		Wetterschutz

Sommaire

1. Généralités	32
2. Conception et fonction	33
3. Sécurité	34
4. Transport, emballage et stockage	36
5. Mise en service, utilisation	36
6. Entretien et nettoyage	40
7. Démontage, retour et mise au rebut	41
8. Spécifications	42
9. Accessoires	44

1. Généralités

- Le manomètre différentiel décrit dans le mode d'emploi est conçu et fabriqué selon les dernières technologies en vigueur. Tous les composants sont soumis à des critères de qualité et d'environnement stricts durant la fabrication. Nos systèmes de gestion sont certifiés selon ISO 9001 et ISO 14001.
- Ce mode d'emploi donne des indications importantes concernant l'utilisation de l'instrument. Il est possible de travailler en toute sécurité avec ce produit en respectant toutes les consignes de sécurité et d'utilisation.
- Respecter les prescriptions locales de prévention contre les accidents et les prescriptions générales de sécurité en vigueur pour le domaine d'application de l'instrument.
- Le mode d'emploi fait partie de l'instrument et doit être conservé à proximité immédiate de l'instrument et accessible à tout moment pour le personnel qualifié. Confier le mode d'emploi à l'utilisateur ou propriétaire ultérieur de l'instrument.
- Le personnel qualifié doit, avant de commencer toute opération, avoir lu soigneusement et compris le mode d'emploi.
- Les conditions générales de vente mentionnées dans les documents de vente s'appliquent.
- Sous réserve de modifications techniques.
- Pour obtenir d'autres informations :
 - Consulter notre site Internet : www.wika.fr
 - Fiche technique correspondante : PM 07.40 et PV 17.40
 - Conseiller applications : Tel. 0 820 951010 (0,15 €/min)
info@wika.fr

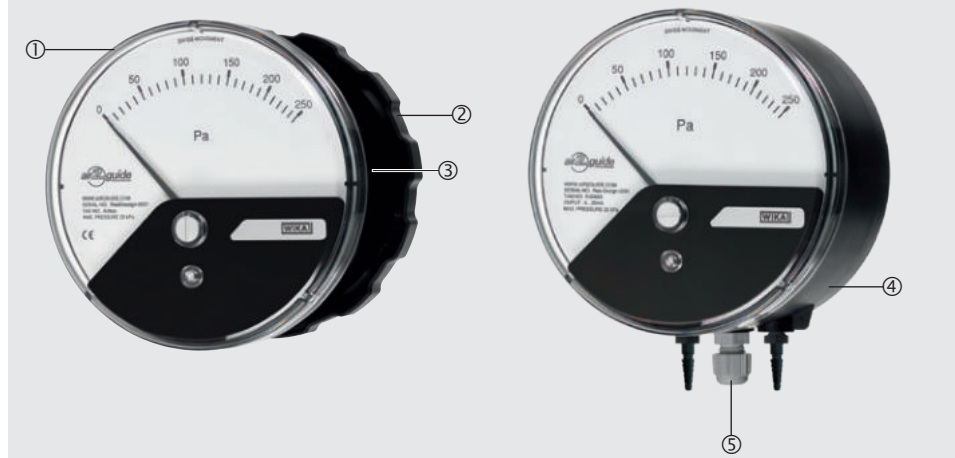
FR

2. Conception et fonction

2.1 Vue générale

Type A2G-10

Type A2G-15,
avec signal de sortie électrique



- ① Système de mesure de pression
- ② Bague filetée
- ③ Boîtier pour montage encastré
- ④ Boîtier pour montage apparent
- ⑤ Presse-étoupe

2.2 Description

Les manomètres différentiels type A2G-10 et A2G-15 sont utilisés pour mesurer la pression différentielle dans les applications de ventilation et de climatisation. Les étendues de mesure vont de 0 ... 100 Pa jusqu'à 0 ... 6.000 Pa. Des étendues en vide-pression peuvent être couvertes de -50 ... +50 Pa à -1.500 ... +1.500 Pa.

Des signaux de sortie électriques du type A2G-15 pour les deux mesurandes (0 ... 10 VDC ou 4 ... 20 mA) permettent la connexion directe aux systèmes de commande ou au système d'automatisation d'un bâtiment.

2.3 Détail de la livraison

- Manomètre différentiel
- Boîtier (encastrée ou pour paroi)
- Raccord de pression fileté

Comparer le détail de la livraison avec le bordereau de livraison.

3. Sécurité

3.1 Explication des symboles

**AVERTISSEMENT !**

... indique une situation présentant des risques susceptibles de provoquer la mort ou des blessures graves si elle n'est pas évitée.

FR

**ATTENTION !**

... indique une situation potentiellement dangereuse et susceptible de provoquer de légères blessures ou des dommages matériels et pour l'environnement si elle n'est pas évitée.

**DANGER !**

... indique les dangers liés au courant électrique. Danger de blessures graves ou mortelles en cas de non respect des consignes de sécurité.

**AVERTISSEMENT !**

... indique une situation présentant des risques susceptibles de provoquer des brûlures dues à des surfaces ou liquides chauds si elle n'est pas évitée.

**Information**

... met en exergue des conseils et recommandations utiles de même que des informations permettant d'assurer un fonctionnement efficace et normal.

3.2 Utilisation conforme à l'usage prévu

Ce manomètre est pour mesurer de très basse pression de gaz sec, propre et non agressif, principalement de l'air.

Les spécifications techniques mentionnées dans ce mode d'emploi doivent être respectées. En cas d'utilisation non conforme ou de fonctionnement de l'instrument en dehors des spécifications techniques, un arrêt et contrôle doivent être immédiatement effectués par un collaborateur autorisé du service de WIKA.

L'instrument est conçu et construit exclusivement pour une utilisation conforme à l'usage prévu décrit ici et ne doit être utilisé qu'en conséquence.

Aucune réclamation ne peut être recevable en cas d'utilisation non conforme à l'usage prévu.

3.3 Utilisation inappropriée



AVERTISSEMENT !

Blessures à cause d'une utilisation inappropriée

Une utilisation inappropriée peut conduire à des situations dangereuses et à des blessures.

- ▶ S'abstenir de modifications non autorisées sur l'instrument.
- ▶ Ne pas utiliser l'instrument en zone explosive.

Toute utilisation différente ou au-delà de l'utilisation prévue est considérée comme inappropriée.

FR

3.4 Qualification du personnel



AVERTISSEMENT !

Danger de blessure en cas de qualification insuffisante

Une utilisation non conforme peut entraîner d'importants dommages corporels et matériels.

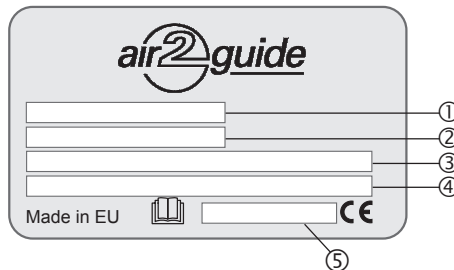
- ▶ Les opérations décrites dans ce mode d'emploi ne doivent être effectuées que par un personnel ayant la qualification décrite ci-après.

Personnel qualifié

Le personnel qualifié, autorisé par l'opérateur, est, en raison de sa formation spécialisée, de ses connaissances dans le domaine de l'instrumentation de mesure et de régulation et de son expérience, de même que de sa connaissance des réglementations nationales et des normes en vigueur, en mesure d'effectuer les travaux décrits et d'identifier de façon autonome les dangers potentiels.

3.5 Etiquetage, marquages de sécurité

Plaque signalétique (exemple)



- | | |
|---------------------|-------------------|
| ① Type | ④ Alimentation |
| ② Etendue de mesure | ⑤ Numéro de série |
| ③ Signal de sortie | |



Lire impérativement le mode d'emploi avant le montage et la mise en service de l'instrument !

4. Transport, emballage et stockage

4.1 Transport

Vérifier s'il existe des dégâts sur l'instrument liés au transport.

Communiquer immédiatement les dégâts constatés.



ATTENTION !

Dommages liés à un transport inapproprié

Un transport inapproprié peut donner lieu à des dommages importants.

- ▶ Lors du déchargement des colis à la livraison comme lors du transport des colis en interne après réception, il faut procéder avec soin et observer les consignes liées aux symboles figurant sur les emballages.
- ▶ Lors du transport en interne, observer les instructions du chapitre 4.2 "Emballage et stockage".

4.2 Emballage et stockage

N'enlever l'emballage qu'avant le montage.

Conserver l'emballage, celui-ci offre, lors d'un transport, une protection optimale (par ex. changement de lieu d'utilisation, renvoi pour réparation).

Conditions admissibles sur le lieu de stockage :

- Température de stockage : 0 ... 70 °C
- Humidité : 35 ... 85 % d'humidité relative (sans condensation)

5. Mise en service, utilisation

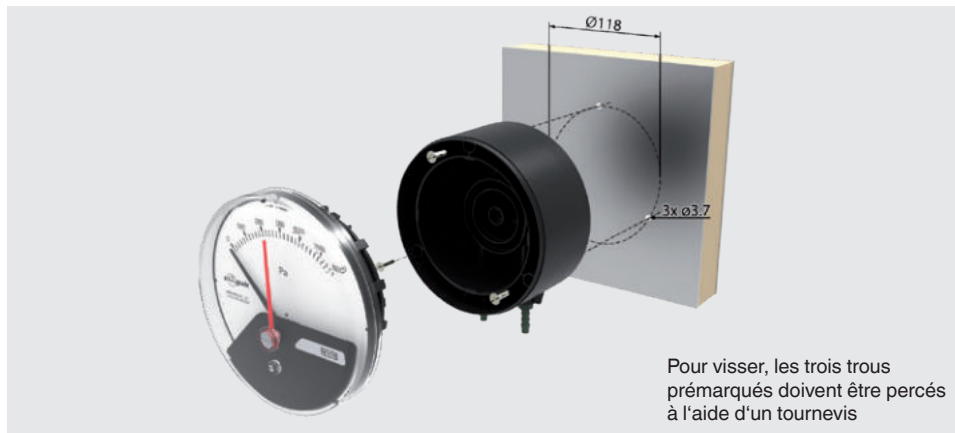
5.1 Installation et raccordement mécanique

Conformément aux règles techniques générales pour les manomètres (par ex. EN 837-2 "Recommandations sur le choix et l'installation des manomètres").

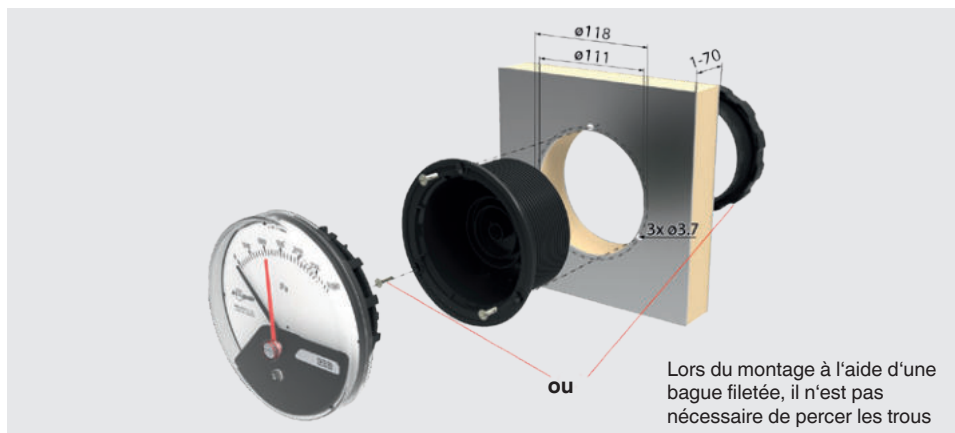
Les appareils standard air2guide sont étalonnés en position verticale et doivent donc également être montés dans cette position pour conserver leur classe de précision. Dans le cas où une autre position de montage serait requise pour des instruments air2guide, il est recommandé de l'indiquer à la commande. Les instruments avec les étendues de mesure les plus élevées peuvent être utilisés en standard dans une position autre que verticale en réglant simplement le point zéro de l'indication.

5. Mise en service, utilisation

Montage sur paroi, raccord vertical

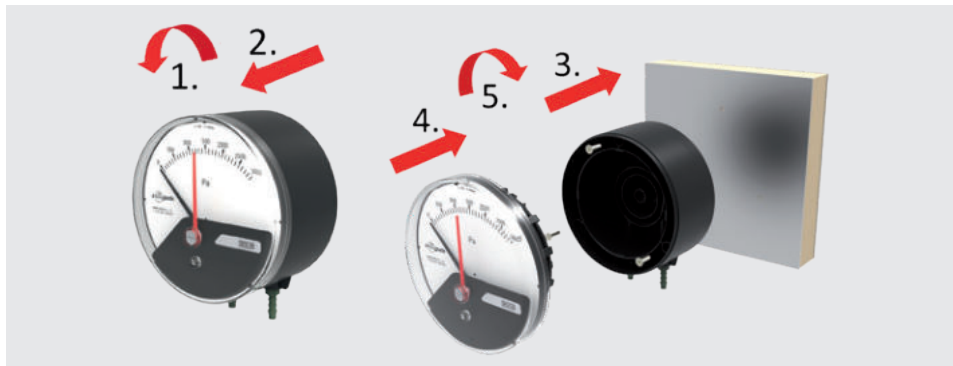


Montage panneau, raccord arrière



5. Mise en service, utilisation

Etapas détaillées du montage sur paroi



FR

Etapas détaillées du montage panneau



Après le montage de l'élément de mesure dans le boîtier, l'élément de mesure peut être réglé dans le sens des aiguilles d'une montre et dans le sens contraire des aiguilles d'une montre sur 15 degrés d'angle afin de garantir un positionnement horizontal précis de l'appareil.

5. Mise en service, utilisation

5.2 Mise en service

- Lors de la mise en service il faut absolument éviter les coups de bélier.
- Protégez les manomètres contre la contamination, les variations de température élevées et les vibrations.
- N'utilisez le manomètre que s'il est dans un état irréprochable du point de vue de la sécurité.
- Monter le raccordement de pression conformément aux symboles apposés :
 - ⊕ haute pression
 - ⊖ basse pression

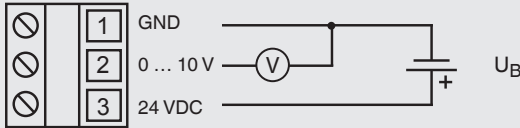
FR

5.3 Signal de sortie, type A2G-15

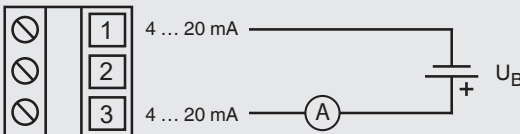
Signal de sortie, type A2G-15

Tension d'alimentation U_B	15 ... 35 VDC
Précision de mesure du capteur	± 3 % de l'étendue de mesure
Raccordement électrique	M12 presse-étoupe avec bornes à vis

0 ... 10 VDC , 3 fils



4 ... 20 mA, 2 fils



5.4 Réglage du point zéro

La vérification et le réglage du zéro se font hors pression.

Point zéro mécanique et électrique

En cas d'écart par rapport au point zéro (appareil hors pression), une correction du point zéro est possible au moyen du réglage du point zéro (vis). Il est possible d'ajuster le réglage du point zéro électrique et mécanique simultanément en tournant la vis pour le point zéro (sur l'avant de l'instrument).

6. Entretien et nettoyage



Pour le détail des contacts voir le chapitre 1 “Généralités” ou au dos du mode d'emploi.

6.1 Entretien

Cet instrument ne requiert aucun entretien.

Les réparations doivent être effectuées exclusivement par le fabricant ou par un personnel qualifié.

6.2 Nettoyage



ATTENTION !

Blessures physiques et dommages aux équipements et à l'environnement

Un nettoyage inapproprié peut conduire à des blessures physiques et à des dommages aux équipements ou à l'environnement. Les restes de fluides se trouvant dans les instruments démontés peuvent mettre en danger les personnes, l'environnement ainsi que l'installation.

► Effectuer la procédure de nettoyage comme décrit ci-dessous.

1. Avant le nettoyage, débrancher correctement l'instrument de l'alimentation, l'éteindre et le déconnecter du secteur.
2. Utiliser l'équipement de protection requis.
3. Nettoyer l'instrument avec un chiffon humide.
Éviter tout contact des raccords électriques avec l'humidité !



ATTENTION !

Dommages à l'instrument

Un nettoyage inapproprié peut conduire à l'endommagement de l'instrument !

- Ne pas utiliser de détergents agressifs.
- Ne pas utiliser d'objets pointus ou durs pour le nettoyage.

4. Laver et décontaminer l'instrument démonté afin de protéger les personnes et l'environnement contre le danger lié aux résidus de fluides.

7. Démontage, retour et mise au rebut

7.1 Démontage



AVERTISSEMENT !

Blessures physiques et dommages aux équipements et à l'environnement liés aux résidus de fluides

Lors du contact avec un fluide dangereux (par ex. oxygène, acétylène, substances inflammables ou toxiques), un fluide nocif (par ex. corrosif, toxique, cancérigène, radioactif), et également avec des installations de réfrigération et des compresseurs, il y a un danger de blessures physiques et de dommages aux équipements et à l'environnement.

- ▶ Avant de stocker l'instrument démonté (à la suite de son utilisation), le laver ou le nettoyer afin de protéger le personnel et l'environnement contre le danger lié aux résidus de fluides.
- ▶ Observer les informations de la fiche de données de sécurité du fluide correspondant.

FR

7.2 Retour

En cas d'envoi de l'instrument, il faut respecter impérativement ceci :

Tous les instruments livrés à WIKA doivent être exempts de substances dangereuses (acides, bases, solutions, etc.) et doivent donc être nettoyés avant d'être retournés.



AVERTISSEMENT !

Blessures physiques et dommages aux équipements et à l'environnement liés aux résidus de fluides

Les restes de fluides se trouvant dans le manomètre différentiel démonté peuvent mettre en danger les personnes, l'environnement ainsi que l'installation.

7.3 Mise au rebut

Une mise au rebut inadéquate peut entraîner des dangers pour l'environnement. Éliminer les composants des instruments et les matériaux d'emballage conformément aux prescriptions nationales pour le traitement et l'élimination des déchets et aux lois de protection de l'environnement en vigueur.



Ne pas mettre au rebut avec les ordures ménagères. Assurer une mise au rebut correcte en conformité avec les réglementations nationales.

8. Spécifications

8. Spécifications

Manomètre différentiel, types A2G-10 et A2G-15

Version	<ul style="list-style-type: none"> ■ Version standard ■ Version sans silicone 	
Diamètre en mm	110	
Etendue de mesure	<ul style="list-style-type: none"> ■ 0 ... 100 Pa à 0 ... 6.000 Pa ■ -50 ... +50 Pa à -1.500 ... +1.500 Pa Autres échelles plus/moins sur demande	
Unité	<ul style="list-style-type: none"> ■ Pa ■ kPa ■ inWC ■ mmWC ■ mbar 	
Balance	<ul style="list-style-type: none"> ■ Echelle simple ■ Echelle double 	
Classe de précision		
Echelle \geq 250 Pa	3,0	
Echelle 101 ... 249 Pa	5,0	
Echelle \leq 100 Pa	10,0	
Raccord process	G 1/8 femelle Raccord de pression fileté pour flexibles de mesure d'un diamètre intérieur de 4 ... 6 mm (voir "Accessoires")	
Mouvement	Transmission sans contact (SWISS MOVEMENT)	
Matériaux		
Composants de boîtier	Plastique, fibre de verre renforcée	
Membrane de séparation	<ul style="list-style-type: none"> ■ Silicone ■ EPDM (avec la version sans silicone) 	
Voyant	Polycarbonate (stabilisé aux rayons UV)	
Cadran	Aluminium	
Aiguille	Plastique, noire	
Aiguille réglable	<ul style="list-style-type: none"> ■ Sans ■ Plastique, rouge 	
Fluide	<ul style="list-style-type: none"> ■ Air ■ Gaz non-inflammables et non-agressifs 	
Température admissible		
Fluide	Type A2G-10	-20 ... +50 °C [-4 ... +122 °F]
	Type A2G-15	-16 ... +50 °C [-3 ... +122 °F]
Ambiante	-30 ... +80 °C [-22 ... +176 °F]	

8. Spécifications

Manomètre différentiel, types A2G-10 et A2G-15

Pression de service maximale (pression statique)	20 kPa
Indice de protection selon CEI/EN 60529	■ IP54 ■ IP65
Poids (système de mesure de pression)	
Type A2G-10	235 g
Type A2G-15	255 g

FR

9. Accessoires

9. Accessoires

Description	Code article	
Raccords process		
 Raccord de pression fileté, droit, Ø 4 ... 6 mm	40423607	
 Raccord de pression fileté, coudé, Ø 4 ... 6 mm	40423526	
 Avec filetage de montage G 1/8 pour tuyauterie 6,35 mm [1/4"]	40232867	
 Raccordement de flexible Combi pour des flexibles de mesure de pression d'un diamètre Ø 4 ... 7 mm	40232484	
	Capteurs pour conduites statiques avec raccordement de flexible Combi pour des flexibles de mesure de pression de diamètre Ø 4 ... 7 mm	
	Longueur utile 100 mm	40232981
	Longueur utile 150 mm	40232999
	Longueur utile 200 mm	40233006
	Flexibles de mesure	
	Flexible en PVC, diamètre intérieur 4 mm, rouleau de 25 m	40217841
	Flexible en PVC, diamètre intérieur 6 mm, rouleau de 25 m	40217850
	Flexible en silicone, diamètre intérieur 4 mm, rouleau de 25 m	40208940
	Flexible en silicone, diamètre intérieur 6 mm, rouleau de 25 m	40208958
	Raccords de conduit pour flexibles de mesure Ø 4 ... 6 mm	40217507
	Protection contre les intempéries	40241564

Contenuti

1. Informazioni generali	46
2. Esecuzione e funzioni	47
3. Sicurezza	48
4. Trasporto, imballo e stoccaggio	50
5. Messa in servizio, funzionamento	50
6. Manutenzione e pulizia	54
7. Smontaggio, resi e smaltimento	55
8. Specifiche tecniche	56
9. Accessori	58

1. Informazioni generali

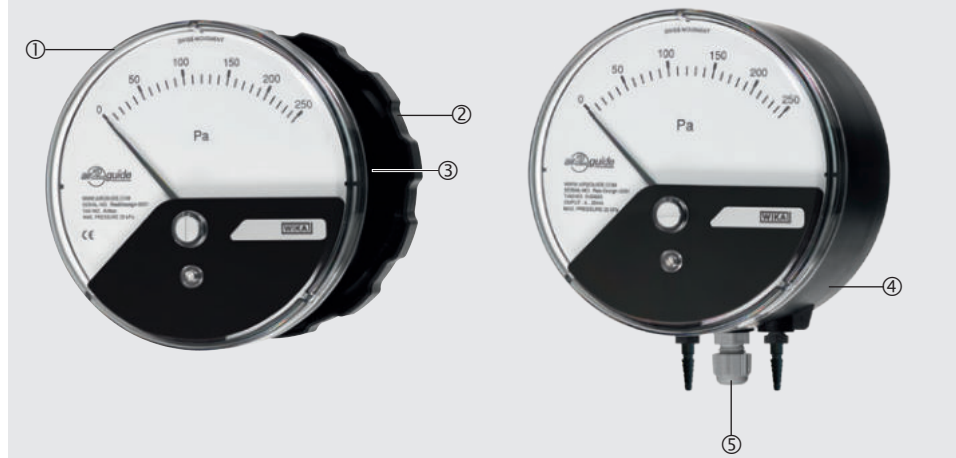
- Il manometro differenziale descritto in questo manuale d'uso è stato progettato e costruito secondo lo stato dell'arte della tecnica. Tutti i componenti sono sottoposti a severi controlli di qualità e ambientali durante la produzione. I nostri sistemi di qualità sono certificati ISO 9001 e ISO 14001.
- Questo manuale d'uso contiene importanti informazioni sull'uso dello strumento. Lavorare in sicurezza implica il rispetto delle istruzioni di sicurezza e di funzionamento.
- Osservare le normative locali in tema di prevenzione incidenti e le regole di sicurezza generali per il campo d'impiego dello strumento.
- Il manuale d'uso è parte del prodotto e deve essere conservato nelle immediate vicinanze dello stesso e facilmente accessibile in ogni momento al personale qualificato. Trasferire le istruzioni d'uso e manutenzione all'operatore o al possessore successivo.
- Il manuale d'uso deve essere letto con attenzione e compreso dal personale qualificato prima dell'inizio di qualsiasi attività.
- Si applicano le nostre condizioni generali di vendita, allegate alla conferma d'ordine.
- Soggetto a modifiche tecniche.
- Ulteriori informazioni:
 - Indirizzo Internet: www.wika.it
 - Scheda tecnica prodotto: PM 07.40 e PV 17.40
 - Consulenze tecniche ed applicative: Tel.: +39 02 93861-1
Fax: +39 02 93861-74
info@wika.it

2. Esecuzione e funzioni

2.1 Panoramica

Modello A2G-10

Modello A2G-15,
con segnale in uscita elettrico



- ① Sistema di misura della pressione
- ② Anello filettato
- ③ Cassa per il montaggio a pannello
- ④ Custodia per montaggio a parete
- ⑤ Pressacavo filettato

2.2 Descrizione

I manometri differenziali A2G-10 e A2G-15 sono utilizzati per il monitoraggio della pressione differenziale nei settori della ventilazione e condizionamento dell'aria. I campi di misura vanno da 0 ... 100 Pa a 0 ... 6.000 Pa. I campi più/meno possono essere realizzati da -50 ... +50 Pa a -1.500 ... +1.500 Pa.

I segnali di uscita elettrici del modello A2G-15 per entrambe le grandezze fisiche (0 ... 10 Vcc o 4 ... 20 mA) consentono il collegamento diretto ai sistemi di controllo o al sistema di automazione dell'edificio.

2.3 Scopo di fornitura

- Manometro differenziale
- Custodia (a pannello o parete)
- Attacco al processo filettato

Controllare lo scopo di fornitura con il documento di consegna / trasporto.

3. Sicurezza

3.1 Legenda dei simboli

**ATTENZIONE!**

... indica una situazione di potenziale pericolo che, se non evitata, può causare ferite gravi o morte.

**CAUTELA!**

... indica una situazione di potenziale pericolo che, se non evitata, può causare ferite lievi o danni alle cose o all'ambiente.

**PERICOLO!**

... identifica pericoli causati dalla alimentazione elettrica. Se non vengono osservate le istruzioni relative alla sicurezza, c'è il rischio che possano verificarsi lesioni gravi o morte.

**ATTENZIONE!**

... indica una situazione di potenziale pericolo che, se non evitata, può causare ustioni causate da superfici o liquidi bollenti.

**Informazioni**

... fornisce suggerimenti utili e raccomandazioni per l'utilizzo efficiente e senza problemi dello strumento.

3.2 Destinazione d'uso

Questo manometro è stato progettato per la misura di pressioni molto basse con gas secchi, puliti e non aggressivi, principalmente aria.

Le specifiche tecniche riportate in questo manuale d'uso devono essere rispettate. L'uso improprio dello strumento al di fuori delle specifiche tecniche richiede che lo strumento venga messo immediatamente fuori servizio e che venga ispezionato da un tecnico di servizio WIKA autorizzato.

Lo strumento è stato progettato e costruito esclusivamente per la sua destinazione d'uso e può essere impiegato solo per questa.

Il costruttore non è responsabile per reclami di qualsiasi natura in caso di utilizzo dello strumento al di fuori della sua destinazione d'uso.

3.3 Uso improprio



ATTENZIONE!

Lesioni derivanti da uso improprio

L'uso improprio dello strumento può provocare situazioni pericolose o lesioni.

- ▶ Astenersi dall'effettuare modifiche non autorizzate allo strumento.
- ▶ Non utilizzare lo strumento all'interno di aree pericolose.

Qualsiasi utilizzo dello strumento al di fuori o diverso da quello previsto è considerato uso improprio.

3.4 Qualificazione del personale



ATTENZIONE!

Rischio di lesioni in caso di personale non qualificato

L'uso improprio può condurre a lesioni gravi o danni alle apparecchiature.

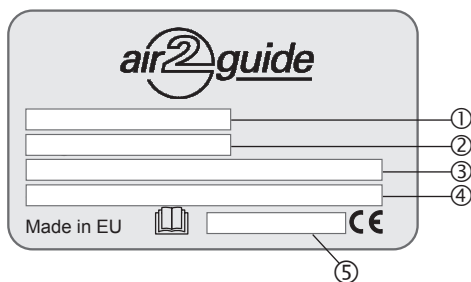
- ▶ Le attività riportate in questo manuale d'uso possono essere effettuate solo da personale in possesso delle qualifiche riportate di seguito.

Personale qualificato

Per personale qualificato, autorizzato dall'operatore, si intende personale che, sulla base della sua formazione tecnica, della conoscenza della tecnologia di misura e controllo e sulla sua esperienza e conoscenza delle normative specifiche del paese, normative e direttive correnti, sia in grado di effettuare il lavoro descritto e di riconoscere autonomamente potenziali pericoli.

3.5 Etichettatura, simboli per la sicurezza

Etichetta prodotto (esempio)



- | | |
|---------------------|-----------------------------|
| ① Modello | ④ Tensione di alimentazione |
| ② Campo di misura | ⑤ Numero di serie |
| ③ Segnale di uscita | |



Prima di montare e mettere in servizio lo strumento, assicurarsi di aver letto attentamente il manuale d'uso!

4. Trasporto, imballo e stoccaggio

4.1 Trasporto

Verificare che lo strumento non abbia subito danni nel trasporto.

Danni evidenti devono essere segnalati tempestivamente.



CAUTELA!

Danni dovuti a trasporto improprio

Con un trasporto non corretto, lo strumento può subire danni gravi.

- ▶ Quando le merci imballate si scaricano al momento della consegna, così come durante il trasporto interno, procedere con cautela e osservare i simboli riportati sull'imballo.
- ▶ In caso di trasporti interni, osservare le istruzioni riportate nel capitolo 4.2 "Imballaggio e stoccaggio".

4.2 Imballaggio e stoccaggio

Rimuovere l'imballo solo appena prima dell'installazione.

Conservare l'imballo per proteggere lo strumento in successivi trasporti (es. variazione del sito di installazione, invio in riparazione).

Condizioni consentite per lo stoccaggio:

- Temperatura di stoccaggio: 0 ... 70 °C
- Umidità: 35 ... 85 % umidità relativa (senza condensazione)

5. Messa in servizio, funzionamento

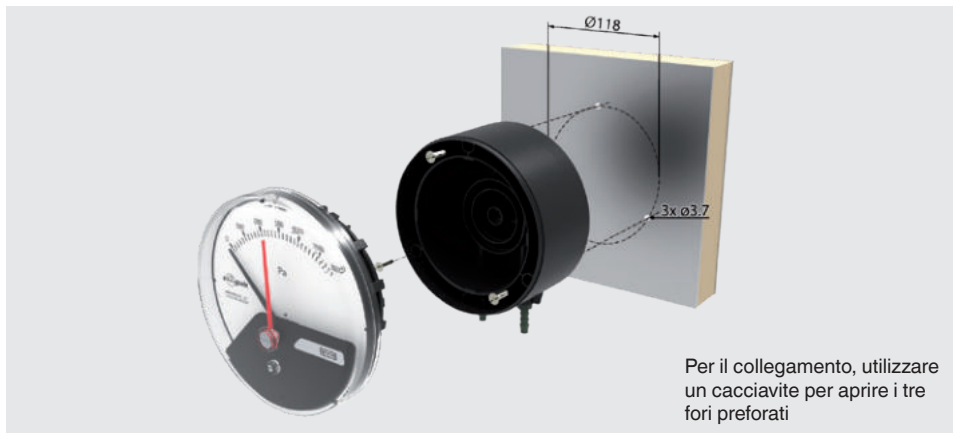
5.1 Installazione e attacco meccanico

In conformità alle norme tecniche generali per strumenti di misura (per esempio: EN 837-2 conformità "Consigli per la scelta e l'installazione di manometri").

Gli strumenti standard air2guide sono calibrati con la membrana in posizione verticale e devono essere pertanto montati in questo modo, anche per rispettare le specifiche di precisione. Se occorre richiedere una diversa posizione d'installazione per gli strumenti air2guide, si prega di specificarlo in fase d'ordine. I strumenti con campi di misura più elevati possono essere montati in una posizione diversa da quella verticale, agendo semplicemente sulla regolazione del punto zero.

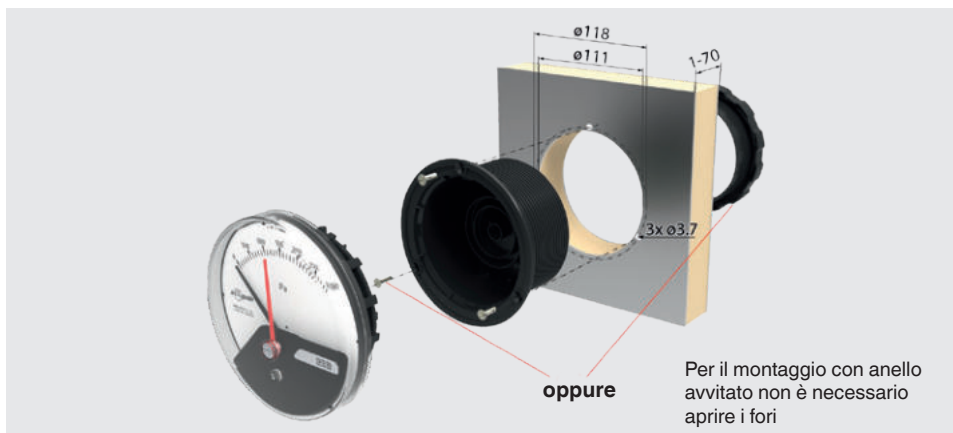
5. Messa in servizio, funzionamento

Montaggio a parete, attacco al processo inferiore



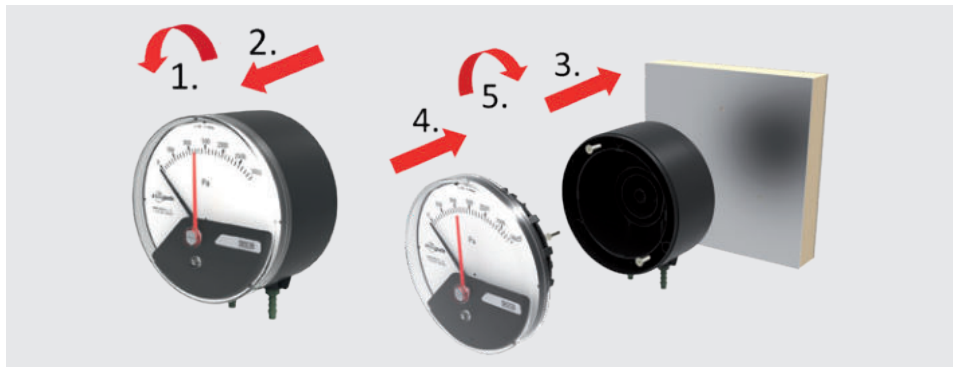
IT

Montaggio a pannello, attacco al processo posteriore



5. Messa in servizio, funzionamento

Fasi di montaggio dettagliate per il montaggio a parete



Fasi di montaggio dettagliate per il montaggio a pannello



Dopo aver inserito l'elemento di misura nella custodia è possibile ruotarlo di 15 gradi in senso orario o antiorario per garantire il corretto posizionamento orizzontale dello strumento.

5. Messa in servizio, funzionamento

5.2 Messa in funzione

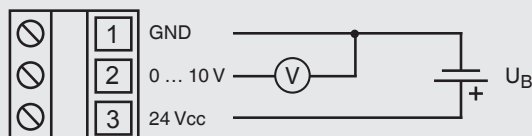
- Durante il processo di prima messa in servizio, si devono evitare in qualsiasi modo sbalzi di pressione.
- Proteggere gli manometri da contaminazioni, forti escursioni termiche e vibrazioni.
- Utilizzare il manometro solo in condizioni tecniche e di sicurezza perfette.
- Montaggio dell'attacco di pressione secondo i simboli appositi:
 - ⊕ alta pressione
 - ⊖ bassa pressione

5.3 Segnale in uscita, modello A2G-15

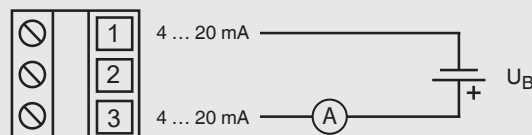
Segnale in uscita, modello A2G-15

Tensione di alimentazione U_B	15 ... 35 Vcc
Precisione di misura del sensore	± 3 % del valore finale del campo di misura
Connessione elettrica	M12 pressacavo filettato con morsetti a vite

0 ... 10 Vcc, 3 fili



4 ... 20 mA, 2 fili



5.4 Impostazione del punto zero

Generalmente, la regolazione dello zero deve avvenire in assenza di pressione.

Punto zero meccanico ed elettrico

Nel caso di una deviazione dal punto zero (nello stato depressurizzato), il punto zero può essere corretto tramite l'apposita impostazione (vite). È possibile eseguire una correzione del punto zero meccanico ed elettrico tramite la vite di regolazione (sul frontale dello strumento).

6. Manutenzione e pulizia



Per i dettagli sui contatti, consultare il capitolo 1 “Informazioni generali” o l'ultima pagina delle istruzioni d'uso.

6.1 Manutenzione

Lo strumento è esente da manutenzione.

Le riparazioni devono essere effettuate solo dal costruttore o da personale adeguatamente qualificato.

6.2 Pulizia



CAUTELA!

Lesioni fisiche e danni alle cose e all'ambiente

Una pulizia impropria può provocare lesioni fisiche e danni alle cose e all'ambiente. I residui dei fluidi di processo negli strumenti smontati possono causare rischi alle persone, all'ambiente ed alla strumentazione.

► Effettuare la pulizia come descritto di seguito.

1. Prima della pulizia, disconnettere correttamente lo strumento dal processo, spegnerlo e scollegarlo dall'alimentazione.
2. Utilizzare i dispositivi di protezione necessari.
3. Pulire lo strumento con un panno umido.

Le connessioni elettriche non devono entrare in contatto con l'umidità!



CAUTELA!

Danni allo strumento

Una pulizia impropria può causare danni allo strumento!

- Non usare detersivi aggressivi.
- Per la pulizia non utilizzare oggetti appuntiti o duri.

4. Lavare o pulire lo strumento smontato, allo scopo di proteggere le persone e l'ambiente dall'esposizione con i fluidi residui.

7. Smontaggio, resi e smaltimento

7.1 Smontaggio



ATTENZIONE!

Lesioni fisiche e danni alle cose e all'ambiente a causa di fluidi residui

A contatto con fluidi pericolosi (ad esempio ossigeno, acetilene, sostanze infiammabili o tossiche), con fluidi nocivi (ad esempio corrosivi, tossici, cancerogeni, radioattivi), e anche con impianti di refrigerazione e compressori, vi è il rischio di lesioni fisiche e danni alle cose e dell'ambiente.

- ▶ Prima dello stoccaggio, lavare o pulire lo strumento smontato (dopo l'uso), allo scopo di proteggere le persone e l'ambiente dall'esposizione con i fluidi residui.
- ▶ Osservare le informazioni contenute nella scheda di sicurezza per il corrispondente fluido.

IT

7.2 Resi

Osservare attentamente lo seguenti indicazioni per la spedizione dello strumento:

Tutti gli strumenti inviati a WIKA devono essere privi di qualsiasi tipo di sostanze pericolose (acidi, basi, soluzioni, ecc.) e pertanto devono essere puliti prima di essere restituiti.



ATTENZIONE!

Lesioni fisiche e danni alle cose e all'ambiente a causa di fluidi residui

I residui dei fluidi di processo nei manometri differenziali di precisione smontati possono causare rischi alle persone, l'ambiente e alla strumentazione.

7.3 Smaltimento

Lo smaltimento inappropriato può provocare rischi per l'ambiente.

Lo smaltimento dei componenti dello strumento e dei materiali di imballaggio deve essere effettuato in modo compatibile ed in accordo alle normative nazionali.



Non smaltire insieme ai rifiuti domestici. Smaltire in modo appropriato secondo le regolamentazioni del proprio paese.

8. Specifiche tecniche

8. Specifiche tecniche

Manometro differenziale, modelli A2G-10 e A2G-15

Versione	<ul style="list-style-type: none">■ Versione standard■ Versione senza silicone	
Diametro nominale in mm	110	
Campo di misura	<ul style="list-style-type: none">■ da 0 ... 100 Pa a 0 ... 6.000 Pa■ da -50 ... +50 Pa a -1.500 ... +1.500 Pa Ulteriori campi più/meno a richiesta	
Unità	<ul style="list-style-type: none">■ Pa■ kPa■ inWC■ mmWC■ mbar	
Scala	<ul style="list-style-type: none">■ Scala singola■ Doppia scala	
Classe di precisione		
Span \geq 250 Pa	3,0	
Span 101 ... 249 Pa	5,0	
Span \leq 100 Pa	10,0	
Attacco al processo	G $\frac{1}{8}$ femmina Attacco di pressione filettato per tubi flessibili di misura con diametro interno da 4 ... 6 mm (vedere "Accessori")	
Movimento	Trasmissione senza contatto (SWISS MOVEMENT)	
Materiali		
Componenti della cassa	Plastica, fibra di vetro rinforzata	
Membrana di separazione	<ul style="list-style-type: none">■ Silicone■ EPDM (con esecuzione senza silicone)	
Trasparente	Policarbonato (stabilizzato UV)	
Quadrante	Alluminio	
Indice	Plastica, nera	
Lancetta di marcatura	<ul style="list-style-type: none">■ Senza■ Plastica, rosso	
Fluido	<ul style="list-style-type: none">■ Aria■ Gas non infiammabili e non aggressivi	
Temperature consentite		
Fluido	Modello A2G-10	-20 ... +50 °C [-4 ... +122 °F]
	Modello A2G-15	-16 ... +50 °C [-3 ... +122 °F]
Ambiente	-30 ... +80 °C [-22 ... +176 °F]	

IT

40197310.05 02/2021 EN/DE/FR/IT

8. Specifiche tecniche

Manometro differenziale, modelli A2G-10 e A2G-15

Pressione di lavoro massima (pressione statica)	20 kPa
Grado di protezione secondo IEC/EN 60529	■ IP54 ■ IP65
Peso (sistema di misura della pressione)	
Modello A2G-10	235 g
Modello A2G-15	255 g

IT

9. Accessori

Descrizione		Codice d'ordine
Attacchi al processo		
	Attacco di pressione filettato, dritto, Ø 4 ... 6 mm	40423607
	Attacco di pressione filettato, ad angolo, Ø 4 ... 6 mm	40423526
	Con filettatura di montaggio G 1/8 per tubi da 6,35 mm [1/4"]	40232867
	Attacco per tubo combi per tubi flessibili di misura della pressione con diametro da 4 a 7 mm	40232484
	Sonde condotti statiche con attacco per tubo combi per tubi flessibili di misura della pressione con diametro da 4 a 7 mm	
	Profondità di immersione 100 mm	40232981
	Profondità di immersione 150 mm	40232999
	Profondità di immersione 200 mm	40233006
Tubi di misura		
	Tubo flessibile in PVC, diametro interno 4 mm, rotolo da 25 m	40217841
	Tubo flessibile in PVC, diametro interno 6 mm, rotolo da 25 m	40217850
	Tubo flessibile in silicone, diametro interno 4 mm, rotolo da 25 m	40208940
	Tubo flessibile in silicone, diametro interno 6 mm, rotolo da 25 m	40208958
	Adattatori per condotti per tubi flessibili di misura con diametro da 4 a 6 mm	40217507
	Calotta di protezione	40241564

IT

